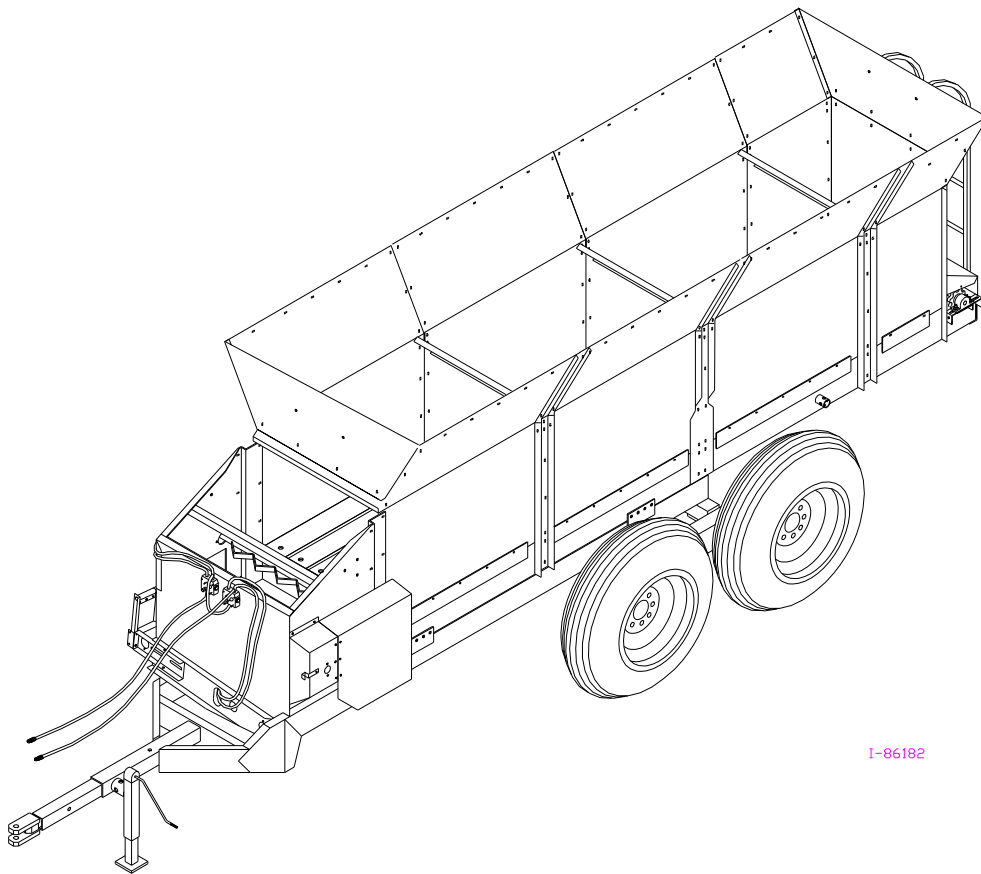




OPERATOR'S MANUAL

**MILLCREEK ROW MULCHER HYDRAULIC MODELS:
406, 506, 606, 706, 588, 728, 1028**



I-86182

PUBLICATION DATE: 1/13/09, Rev 1

MILLCREEK PART # 43839

Millcreek Manufacturing Company
34 Zimmerman Road
Leola, PA 17540

Phone: 1-800-311-1323 / Fax: 717-656-0952
www.millcreekmfg.com



WARNING: DO NOT assemble, operate, or maintain this equipment without first reading and understanding the information provided in this manual and the ADMA Safety Manual for Agricultural Implement Drivelines. Failure to follow all safety precautions as stated in these manuals may result in serious personal injury or death.

WARRANTY INFORMATION

Millcreek Manufacturing Company (hereinafter called the Company) warrants to the original Purchaser, the Equipment, manufactured by the Company, to be free from defects in material and workmanship under normal use and service. The Company obligation under this Warranty shall be limited to replacement or repair of any parts thereof, free of charge, to the original Purchaser provided, however, that the part(s) to be replaced or repaired, shall, within two years after delivery to the original Purchaser, be demonstrated to be defective; which determination shall be made by the Company. The said components or parts must be returned through the Selling Dealer or Distributor directly to the Company with all transportation charges prepaid. Notice of defect shall be furnished in writing to the Seller and to the agent through whom the machinery was purchased, disclosing in full all known defects and failure in operation and use. Reasonable time shall be given to the Seller to remedy any such defects and failures.

The high density, polyethelene floorboards are warranted for the lifetime of the machine from cracking, rotting, splitting, or peeling.

This Warranty does not cover, under any circumstances, any parts, components, or materials which, in the opinion of the Seller and the Company, have been subjected to neglect, misuse, alteration, accident, or repaired with parts other than those manufactured by and obtained from Millcreek Manufacturing Company.

This Warranty does not cover components which are already covered by a separate warranty provided by the supplier of said parts or components.

This Warranty is made in lieu of all other warranties, expressed or implied, including any warranty of merchantability and fitness for use and purpose and of all other obligations or liabilities on the Company part and any implied warranty. The Company neither assumes nor authorizes any other person to assume for it, any other liability in connection with the sale of this equipment. This Warranty shall not apply to this equipment or to any part thereof which has been subjected to accident, negligence, alteration, abuse, or misuse.

The Company makes no warranty whatsoever in respect to accessories or parts not supplied by the Company. The term "original Purchaser," as used in this Warranty, shall be deemed to mean that person for whom the equipment is originally supplied. This Warranty shall apply only within the boundaries of the continental United States.

Under this Warranty, the Company cannot guarantee that conditions existing beyond its control will not affect the Company's ability to obtain materials or manufacture necessary replacement parts.

The Company reserves the right to make design changes, or changes in specifications at any time, without any contingent obligation on the part of the Company to purchasers of machines and parts previously sold.

The Company warrants the construction of the equipment sold herein and will replace at the Company's expense for a period of two years from the date hereof, any parts which prove defective as determined under the terms of this Limited Warranty.

TRADEMARKS

The Millcreek logo is a trademark of the Millcreek Manufacturing Company. All other brand or product names mentioned are the registered trademarks or trademarks of their respective owners.

COPYRIGHT

Copyright © 2009 Millcreek Manufacturing Company. All rights reserved. No part of this publication may be reproduced, or distributed without the prior written permission of Millcreek Manufacturing Company, 34 Zimmerman Road, Leola, PA 17540. Subject to change without notice.



TABLE OF CONTENTS

SECTION 1: INTRODUCTION	1-1
Guide to this Manual	1-1
For Your Safety... ..	1-1
Safety Labels	1-2
Inspection and Warranty Registration	1-5
Standard/Optional Components	1-5
Warranty Registration	1-5
SECTION 2: ATTACHING THE ROW MULCHER TO THE TRACTOR	2-1
Connecting the Row Mulcher Hitch to the Tractor Drawbar	2-1
Attaching the Row Mulcher PTO to the Tractor PTO	2-2
Assembling the Safety Tow Chain	2-2
SECTION 3: OPERATION & ADJUSTMENT	3-1
Understanding Row Mulcher Operation	3-1
The Row Mulcher Operating Components	3-1
Important Specifications for Row Mulcher Operation	3-1
Guidelines for Loading the Row Mulcher	3-2
Operating the Row Mulcher	3-2
SECTION 4: MAINTENANCE	4-1
Guidelines for Regular Maintenance	4-1
General Maintenance	4-1
Wheel/Tire Maintenance	4-2
Wheel Bearing Maintenance	4-2
Drive System Maintenance	4-2
Hydraulic System Maintenance	4-4
APPENDIX A: PARTS REFERENCE	A-1
Parts Ordering Information	A-1
Row Mulcher Specifications	A-1
Main Frame and Chassis Assembly	A-2
Tire and Wheel Assembly	A-4
Drive Chains Assembly	A-6
Safety Shields	A-8
Apron Sprocket Assembly (Front and Rear)	A-10
Apron Chain/Floor Assembly	A-12
Box Assembly	A-14
Standard Hydraulic Assembly	A-16
Electric Hydraulic Assembly	A-18
1028 Electric Hydraulic Assembly	A-20

TABLE OF CONTENTS

APPENDIX A: PARTS REFERENCE (continued)	
Standard Cross Conveyor	A-22
Pot Filler Cross Conveyor	A-24
728 / 1028 Cross Conveyor	A-26
Load Retainer	A-28
APPENDIX B: ROW MULCHER OPTIONS PARTS REFERENCE	B-1
Manual Metering Gate	B-2
Extension Conveyor	B-4
Spill Guard	B-6

SECTION 1: INTRODUCTION

Guide to this Manual

This manual contains all the information necessary to safely operate and maintain your Millcreek Row Mulcher. Consult the Table of Contents for a detailed list of topics covered. You'll find this manual's step-by-step procedures easy to follow and understand. Should questions arise, please contact your Millcreek dealer before starting any of the procedures in this manual.

NOTE: Procedures provided in this manual apply to *all* PTO mechanical row mulcher models unless specifically noted otherwise.

Regarding the information presented in this manual:

- All safety, operating, and servicing information reflects current production models at the time of publication of this manual.
- References made to left, right, front, and rear are those directions viewed when facing the unit from the rear.

Please read all sections in the manual carefully--including the important safety information found in this section--before beginning any procedures; doing so is critical for the safe and proper operation of the Millcreek Row Mulcher.

For Your Safety...

For your safety, Millcreek documentation contains the following types of safety statements (listed here in order of increasing intensity):

- **NOTE:** A clarification of previous information or additional pertinent information.
- **ATTENTION:** A safety statement indicating that potential equipment damage may occur if instructions are not followed.



CAUTION: A safety statement that reminds of safety practices or directs attention to unsafe practices which could result in personal injury if proper precautions are not taken.



WARNING: A *strong* safety statement indicating that a hazard exists which can result in injury or death if proper precautions are not taken.



DANGER! *The utmost levels of safety must be observed;* an extreme hazard exists which would result in high probability of death or irreparable serious personal injury if proper precautions are not taken.

The best operator is a careful operator. By using common sense, observing general safety rules, and adhering to the precautions specific to the row mulcher, you, the operator, can promote safe equipment operation.

For Your Safety... (continued)

In addition to observing the specific precautions listed throughout the manual, **the following general precautions apply and *must be heeded* to ensure proper, safe operation.**



WARNING: Keep hands and feet from under the equipment at all times. Ensure that you are safely distanced from any other persons before operating the row mulcher.



WARNING: DO NOT attempt to operate the row mulcher in areas with steep inclines, ditches, large rocks, stumps, or holes which may endanger the operator by upsetting the tractor or cause damage to the row mulcher.



WARNING: To prevent serious personal injury and to promote safe equipment operation, keep all shields in place during operation. Ensure that all mounting hardware is properly tightened.



WARNING: Never clean, adjust, or repair the row mulcher while the equipment/tractor is in motion. Never attempt to pull material from any part of the equipment while it is in motion.



WARNING: On PTO units, DO NOT get off the tractor while the tractor PTO is engaged. Make sure the PTO shield safety chains are properly attached.



WARNING: Never wear loose clothing when operating the row mulcher as it may become caught in the moving parts of the machine.



WARNING: Never allow children or anyone else to ride on the row mulcher.

ATTENTION: For proper and safe operation of the spreader, periodically inspect all parts for excessive wear. Replace worn components with factory-authorized parts.

ATTENTION: To prevent the hitch from coming disconnected during operation, use the proper size hitch pin with a safety cotter at all times.

ATTENTION: Be sure to use a safety chain when traveling with the row mulcher on a public roadway.

Safety Labels

Following are the locations and descriptions of all labels on the row mulcher; refer to Figure 1A. Please note that some labels denote model number, model description, etc. while others contain important safety messages.

Each **Safety Label** contains an important safety message starting with a key word as discussed earlier in this section (e.g. ATTENTION, CAUTION, WARNING, DANGER). For your safety and the safe operation of your equipment, review all labels and heed all safety messages as printed on the labels.

Be sure to keep the safety labels clean and readable. If the labels ever become damaged or illegible, contact your Millcreek dealer for replacements.

Safety Labels (continued)

Row Mulcher Safety Labels

<u>Label Part #</u>	<u>Description</u>
42719	DANGER - Rotating PTO Driveline, Keep shields in place
42792	DANGER - NO riders
42710	WARNING - Flying Debris
42756	WARNING - Entanglement, Do NOT operate without shields
42772	WARNING - Spreader combination safety label - moving parts, read manual
42794	SMV (Slow Moving Vehicle) Sign
42717	Millcreek Row Mulcher Label
42730	Millcreek Logo Label
42778	Millcreek Logo Label
42736	Model/Serial Number Label (406)
42819	Model/Serial Number Label (506)
42820	Model/Serial Number Label (606)
42737	Model/Serial Number Label (706)
42738	Model/Serial Number Label (588)
42739	Model/Serial Number Label (1028)

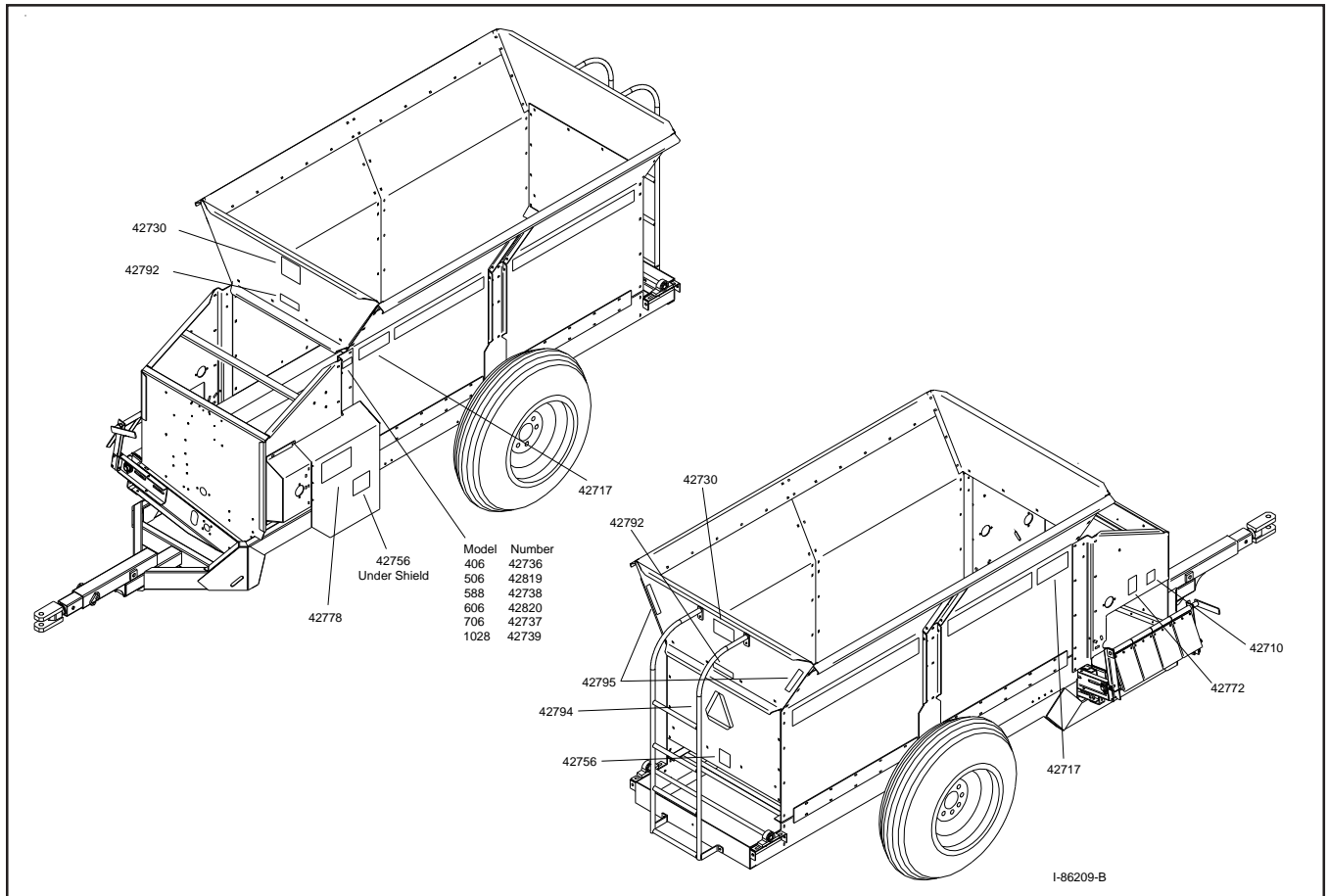


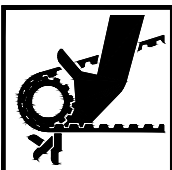
Figure 1A - Row Mulcher Safety Label Locations

For your safety, be sure to locate all safety labels and review their content before proceeding with operating the row mulcher!

Safety Labels (continued)

⚠ DANGER NO RIDERS
42792

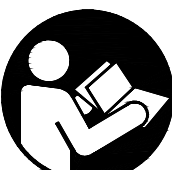
⚠ WARNING
Entanglement Hazards

 **Moving parts can crush or cut.**

STAY CLEAR of machine while engine is running and/or machine is operating. Keep hands, feet, clothing, and hair away from operating parts.

 **Never** adjust, lubricate, or clean machine while engine is running and/or machine is operating.

Never operate machine without safety shields in place.

 **Read and understand** operator's manual and safety labels before operating or servicing the machine.

Failure to follow these warnings may result in serious injury or death.
42772

⚠ DANGER ⚠



KEEP AWAY!

ROTATING DRIVELINE CONTACT CAN CAUSE DEATH. DO NOT OPERATE WITHOUT ALL DRIVELINE, TRACTOR AND EQUIPMENT SHIELDS IN PLACE. DRIVELINE SHIELDS MUST TURN FREELY ON DRIVELINE. DRIVELINE SHIELDS MUST BE SECURELY ATTACHED AT BOTH ENDS.
42719

⚠ WARNING



Entanglement Hazard.

DO NOT OPERATE without safety shield in place. Moving parts can crush and cut.
42756

⚠ WARNING




Entanglement / Flying Debris Hazards.

DO NOT STAND in back of machine while engine is running and/or machine is operating. Rotating beaters and/or flying debris can cause serious personal injury or death.

Approach the rear of the machine **ONLY** when all power sources are shut OFF and all moving parts have stopped.
42710

Inspection and Warranty Registration

The Row Mulcher is shipped from your Millcreek Dealer completely assembled and ready for operation. Inspect your new row mulcher thoroughly upon receipt to ensure that it has been shipped to you in a satisfactory manner. Immediately notify the freight company and your Millcreek dealer in case of shipping damage, shortage(s), and/or errors.

Standard/Optional Components

The Row Mulcher is supplied completely assembled with the following components (standard):

- Cross Conveyor Crescent Belt
- Variable Speed Apron Chain and Cross Conveyor
- Either PTO or Tractor Hydraulic Drive
- Agricultural Ribbed Tires
- Load Retainer

If your row mulcher has been shipped with optional components, ensure that you have received everything as ordered.

Optional components include:

- Manual Metering Gate
- Fine Materials Apron Chain
- Cleated Cross Conveyor Belt
- Spill Guard
- Walking Beam
- Extension Cross Conveyor
- Safety Tow Chain (*user-installed; instructions provided in Section 2*)

NOTE: As ordered, all optional components, except the safety tow chain, are factory installed.

Warranty Registration

Following inspection of your new spreader, locate the Millcreek Warranty Card in the literature packet shipped with your spreader. For proper warranty registration, Millcreek requires that you fill out the warranty registration card and return it *within 30 days* to:

MILLCREEK WARRANTY REGISTRATION
Millcreek Manufacturing Company
34 Zimmerman Road
Leola, PA 17540
U.S.A.

SECTION 2: ATTACHING THE ROW MULCHER TO THE TRACTOR

Connecting the Row Mulcher Hitch to the Tractor Drawbar



WARNING: For safe operation, connect the row mulcher directly to the tractor drawbar; DO NOT connect the row mulcher to a three-point hitch.

The row mulcher hitch is designed to work with a standardized tractor drawbar. To connect the row mulcher hitch to the tractor drawbar, refer to Figure 2A and adhere to the following guidelines:

- Extend or shorten the tractor drawbar to obtain the horizontal distance from the end of the tractor power take-off (PTO) shaft to the center of the hitch pin hole (as shown in Figure 2A).
- Locate the jack, which is stored along the side of the row mulcher box. Use the jack to adjust the height of the row mulcher hitch so it matches the height of the tractor drawbar.
- Back the tractor into the hitch until the holes line up.
- Fasten the row mulcher hitch to the drawbar with a hitch pin that fits securely (i.e. so that it will not come out during operation).
- Remove the weight from the jack by lowering the row mulcher hitch on the drawbar.
- Return the jack to its storage bracket on the side of the row mulcher box.

ATTENTION: DO NOT store the jack by swinging it alongside the hitch; doing so allows the handle to hang down and drag on the ground, which may hinder safe and proper operation.



WARNING: Damage to the row mulcher or other vehicle, as well as injury to the operator, may occur if a properly-sized (1" diameter) hitch pin is not installed as recommended. Secure the hitch pin with the clip as shown.

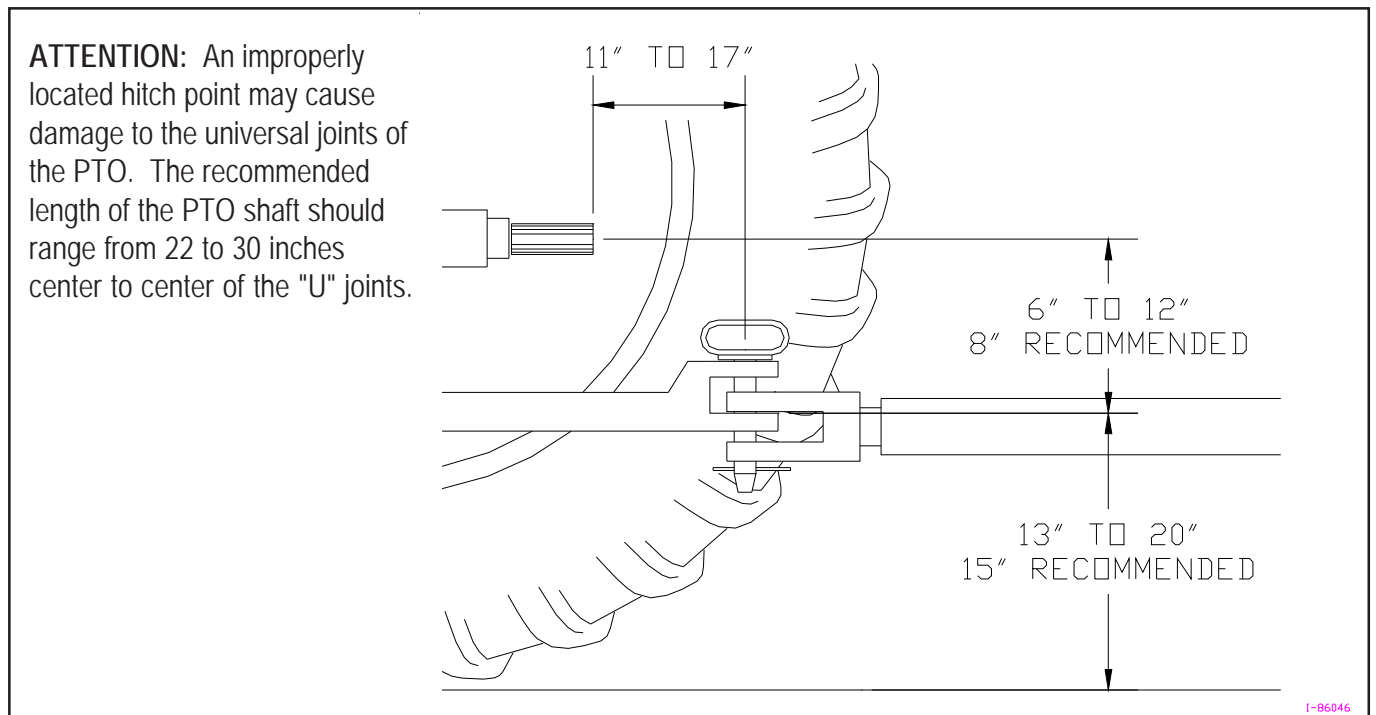


Figure 2A - Specifications for Connecting the Row Mulcher to the Tractor Drawbar

Attaching the Row Mulcher PTO to the Tractor PTO

1. Align the PTO splines on the row mulcher with the PTO splines on the tractor.
2. Pull back the slide collar on the PTO yoke, and slide the row mulcher PTO assembly onto the tractor PTO shaft. Be sure the slide collar snaps forward to indicate that the PTO shaft is properly secured.
ATTENTION: DO NOT transport the row mulcher without having the PTO shaft secured.
3. Refer to Figure 2B. Fasten the PTO safety chain to the link on the row mulcher to prevent rotation of the safety shield during operation.



WARNING: *Failure to secure the PTO safety chain will allow the safety shield to rotate.* Operating the row mulcher without the safety shield in proper position may result in serious personal injury or death.

Assembling the Safety Tow Chain

NOTE: *The safety tow chain may be ordered as an optional component for the row mulcher and must be used if the row mulcher is to be moved any time on a public roadway.* Be sure to adhere to all local/state transportation codes for travel on public roadways with this type of equipment.



WARNING: DO NOT tow the row mulcher (loaded for operation) at highway speeds; doing so may cause the tires to overheat and/or loss of control.

1. Refer to Figure 2B for an illustration of the hook-up of the safety chains (one on each side).
2. Unscrew the quick link nuts (one on each side).
3. Insert the chain link into the quick link as shown (one on each side) and retighten the quick link nuts to keep the chains from slipping out.
4. Hook the other ends of the chains to the appropriate anchor holes on the vehicle hitch.



WARNING: For the safety chains to be effective, the installation of the chains should not allow more slack than is necessary for movement during row mulcher operation. Inspect the safety chains regularly to check the condition of the links and locking/hooking mechanisms; replace the chains as soon as weakness/breakage is noted.

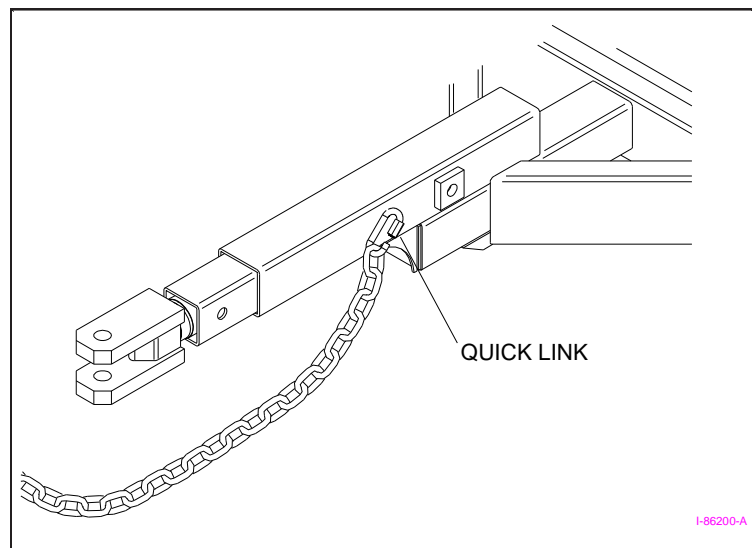


Figure 2B - Attaching the Safety Chains

SECTION 3: OPERATION & ADJUSTMENT

Understanding Row Mulcher Operation

Proper and safe operation of the Millcreek row mulcher requires: (1) being familiar with the row mulcher's operating components and (2) heeding all safety precautions as stated in this manual.

The Row Mulcher Operating Controls

The row mulcher hydraulic models draw power from the tractor PTO. For optimal operating performance, run the tractor at the throttle setting for standard PTO speed of 540 rpm and regulate ground speed to no more than 5 mph.

Key components for row mulcher operation and adjustment are:

- The **Shifter Rods**, located at the front (tractor end) of the row mulcher, allows you to adjust the mulch feed rate and spread pattern. Note that the length and height of the shifter rod can be horizontally and vertically adjusted to make it easier for the tractor operator to control.

Important Specifications for Row Mulcher Operation



CAUTION: Be aware that each row mulcher model has a specific capacity which must not be exceeded to ensure safe and proper operation and to prevent equipment damage. Review the basic specifications for each row mulcher model.

- **Ensure that the tractor weight is at least equal to the weight of the loaded row mulcher.** For optimal operation, Millcreek recommends the following specifications for tractors:
 - For Row Mulcher Model 406, use a tractor of at least 30 HP (PTO).
 - For Row Mulcher Model 506, use a tractor of at least 40 HP (PTO).
 - For Row Mulcher Models 606, 706 and 588, use a tractor of at least 50 HP (PTO).
 - For Row Mulcher Models 728 and 1028 use a tractor of at least 80 HP (PTO).

Guidelines for Loading the Row Mulcher

- For safe and proper operation, DO NOT exceed the maximum payload for each row mulcher model:

<u>MODEL</u>	<u>MAX. PAYLOAD (LBS.)</u>
406	4,000
506	5,500
606	6,500
706	7,500
588	6,000
728	10,000
1028	10,000

- **ATTENTION:** NEVER store material in the row mulcher between unloading times during critical cold weather months when a frozen load could result in severe equipment damage (i.e. torn floor apron chain).
- DO NOT store wet material in the row mulcher (or keep the row mulcher outdoors with material in it)--doing so will accelerate rusting of the steel. Be aware that storing material in the row mulcher also makes the material difficult to unload (i.e. it may solidify/harden).

Hydraulics

Tractor Hydraulic models draw their power directly from the tractor hydraulic system. *For optimal operating performance, the hydraulic oil flow of 15 gallons per minute (GPM) must be maintained.* At 12 GPM, the spreader will still operate but at a slower speed. At flows greater than 15 GPM, oil will be returned to the tractor reservoir by the spreader flow control valve.

PTO Hydraulic models include a hydraulic pump which draws power from the PTO drive line to run the hydraulic motors. The PTO hydraulic pump is designed to provide 15 GPM with a PTO speed of 540 RPM.

Row Mulcher Operating Components

Row Mulcher operation is controlled, in combination, by four variables. The first three variables determine the **application rate**. The fourth variable affects the **spreading pattern**.

- (1) tractor ground speed (mph)
- (2) apron belt speed (0 to 27 feet per minute)
- (3) conveyor speed (0 to 1100 feet per minute)
- (4) deflector positioning

The **Dual Hydraulic Control Valves**, located on the front of the Row Mulcher, provide separate control of floor chain and cross conveyor speeds for maximum control and flexibility.

- The **Left Control Valve** controls the speed of the floor apron chain.
- The **Right Control Valve** controls the speed of the cross conveyor.

SECTION 4: MAINTENANCE & ADJUSTMENT

Guidelines for Regular Maintenance



WARNING: *All shields must be replaced after maintenance or adjustment procedures are performed.* Failure to do so could result in serious personal injury or death.



WARNING: Perform maintenance procedures and/or adjustments to the row mulcher **ONLY** when the PTO is disengaged and the tractor engine is not running. Failure to adhere to this caution could result in serious personal injury.

General Maintenance

Performing regular maintenance on you Millcreek Row Mulcher will help ensure optimal performance. Please follow these guidelines for maintaining your mulcher:

- Clean the row mulcher after each use.
- **ATTENTION:** NEVER store material in the row mulcher between unloading times during critical cold weather months when a frozen load could result in severe equipment damage (i.e. torn floor apron chain). Storing wet material in the row mulcher (or keeping the mulcher outdoors with material in it) will accelerate rusting of the steel.
- Check the row mulcher each time it is used for loose, bent, broken or missing parts. **ATTENTION:** During operation, listen for abnormal sounds which might indicate loose parts or other equipment damage. Correct any parts problems immediately; expanded parts views of all row mulcher assemblies are provided in the Appendixes at the back of this manual.
- Inspect the PTO safety shield and chain regularly to check the condition of the links; replace the shield and chain as soon as weakness/breakage is noted.
- Once a year, grease the following row mulcher components: PTO slide, U-joint, wheel hubs.


Guidelines for Regular Maintenance (continued)

Wheel/Tire Maintenance

- Once a month, check the wheel lug bolt torque. The recommended torque is 120 ft. lbs.
- Check the tires and maintain proper tire pressure:
 - 40 PSI for Ag Rib Tires

ATTENTION: When storing the row mulcher for a period of time, block up the unit to remove weight from the tires. Doing so helps to prevent any possible damage to the tires.

Wheel Bearing Maintenance

- Adjust the wheel hub bearings after 100 loads and once each season thereafter.
 - Use a jack to raise the row mulcher to remove weight from the wheel.
-  **CAUTION:** Be sure to block up the row mulcher to prevent personal injury while working on the wheels.
- Rotate the wheel and torque the wheel hub bearings to 25 ft. lbs.
 - Back off the nut one flat, plus enough to install the cotter pin (1/6 turn min., 1/3 turn max.)

Drive System Maintenance

- Apply chain lube to the floor apron chain each time after completing a spreading job **and** before storing the row mulcher for any period of time.
- Periodically check the apron chain and/or cross conveyor belt for proper tension/tightness (refer to Figures 4A and 4B).

Procedure for adjusting the apron chain:

- a) The apron chain can be adjusted using the apron tensioner bolts at the rear of the row mulcher as shown in Figure 4A.
- b) Adjust the apron tensioner bolts so 1/4 to 1/2 of the lower chain strand is laying on the chain guides (steel channels in the apron floor).

Procedure for adjusting the cross conveyor belt:

- a) Use a 3/4" wrench to loosen the mounting bolts on the cross conveyor tensioner bearings (located at the front right corner of the row mulcher on either side of the cross conveyor belt).
- b) Refer to Figure 4B. Adjust the tensioner bolt to obtain the desired tension.

ATTENTION: Be sure to tighten the draw bolts *equally on each side* so the belt does not droop or have any slack in it; the belt may be damaged if it is operated when misaligned.

Guidelines for Regular Maintenance (continued)

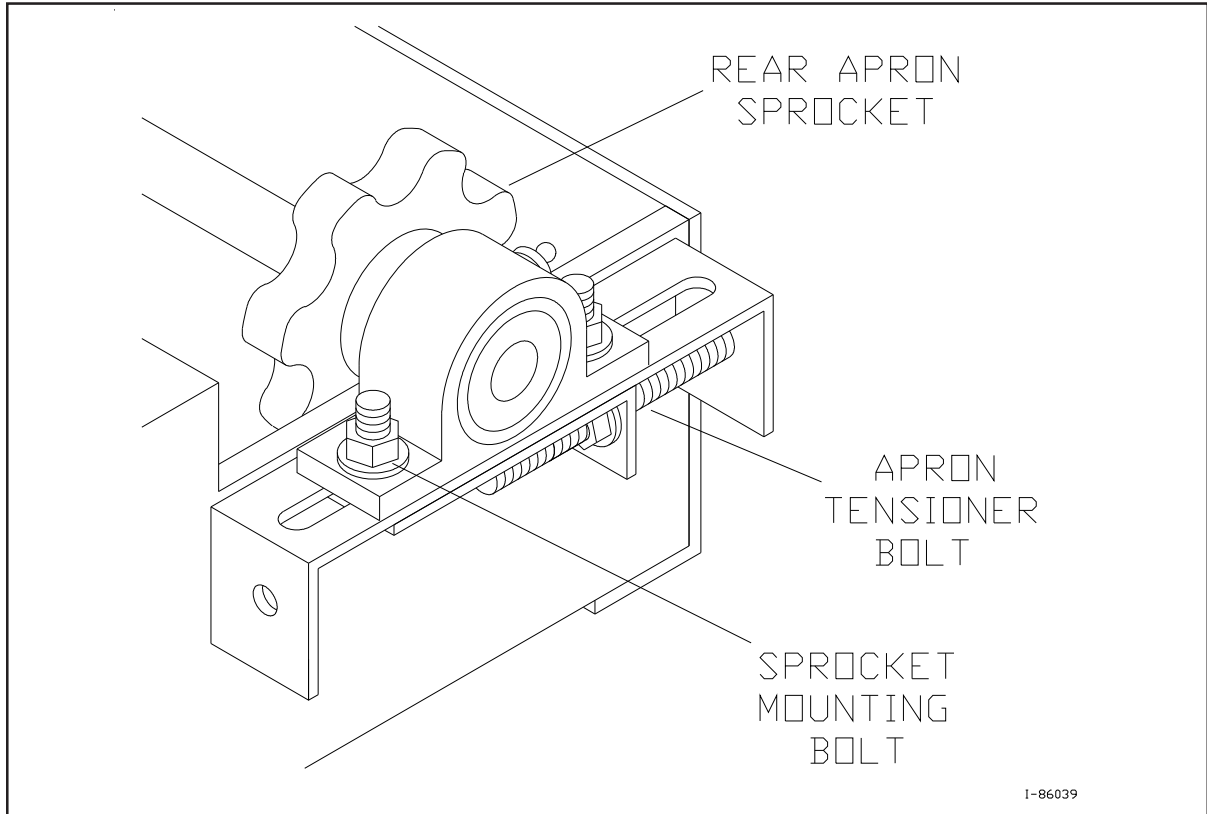


Figure 4A - Adjusting the Apron Chain Tension

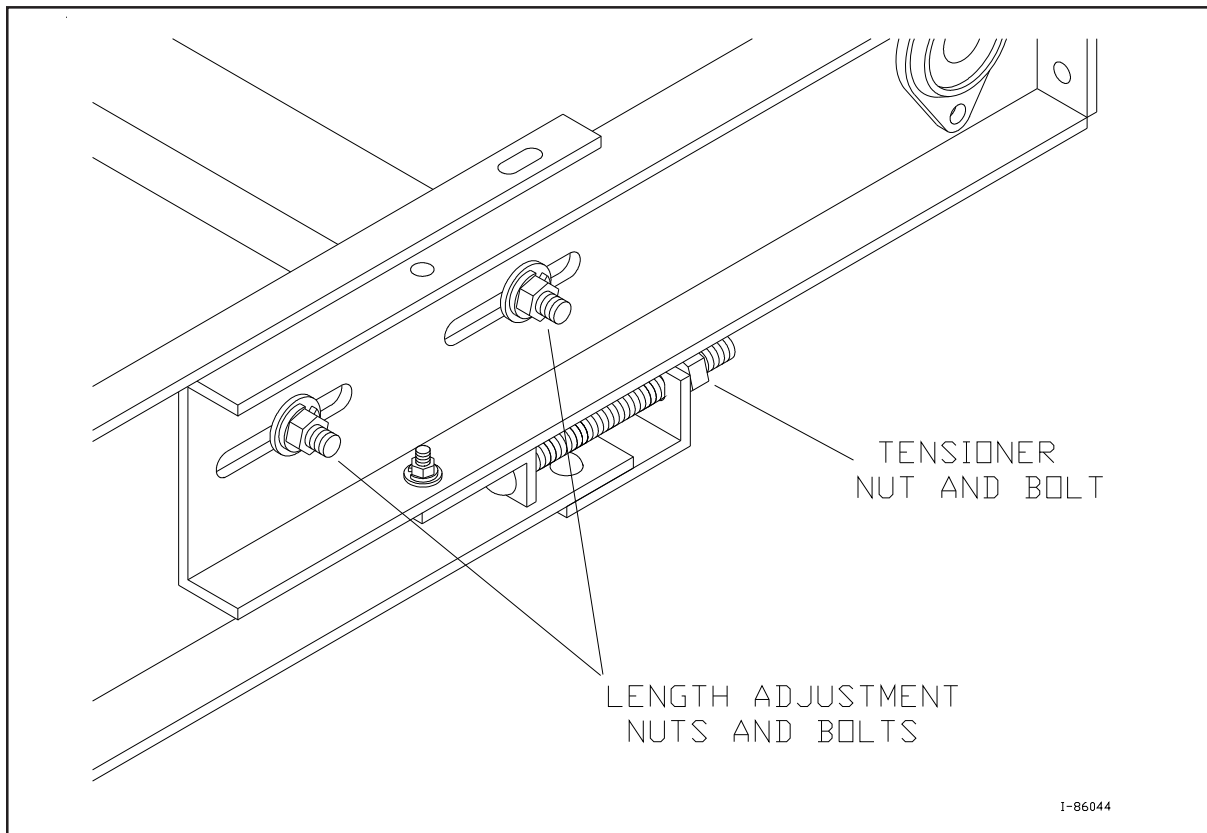


Figure 4B - Cross Conveyor Belt Tension Adjustment

Hydraulic System Maintenance

- Periodically check the condition of the hydraulic hoses for flexibility and any signs of rubbing/weakness on the outer surface. Replace the hose(s) as soon as any weakness or cracking is noted.
- **Proper oil maintenance for Tractor Hydraulic Units:** The Tractor Hydraulic unit is shipped with Universal Tractor Hydraulic Fluid (UTF) in the lines. To protect your tractor, make sure the UTF supplied with the Row Mulcher is compatible with the oil in your tractor.
- **Proper oil maintenance for PTO Hydraulic Units:** The PTO Hydraulic Row Mulcher is supplied with either **Castrol Blue Hydraulic Oil (blue in color)** or **Shell Pellus Plus 46 (amber in color)** in the reservoir. (The oils have identical specifications as shown below.)

Hydraulic Oil Specifications

ISO Grade	46
Former Grade	(10)
Viscosity @ 40° C cSt	45.3
Viscosity @ 100° C cSt	6.6
Viscosity @ 100° F, SUS	215
Viscosity @ 210° F, SUS	48
Viscosity Index	103
Flash Point, °C (°F)	215 (420)
Pour Point, °C (°F)	-26 (-15)

- Replace the oil filter after the first 10 hours of operation. After that initial period, replace the filter every 100 hours (in dusty conditions) or every year.

ATTENTION: If a PTO Hydraulic Row Mulcher is converted to a Tractor Hydraulic unit, be sure to check if the hydraulic oil is compatible with the oil in the tractor. If it is not, the hydraulic system must be flushed out with new oil to ensure proper functioning and to prevent equipment damage.

APPENDIX A: PARTS REFERENCE

The following information is provided for your reference in understanding how the row mulcher is assembled and how spare parts can be identified and ordered properly.

IMPORTANT! Please note that some of the Parts Lists in this section apply generally to all Row Mulcher Model Numbers, while others are specified differently for separate models. Please read carefully to find the appropriate information that applies to your Row Mulcher Model.

Parts Ordering Information

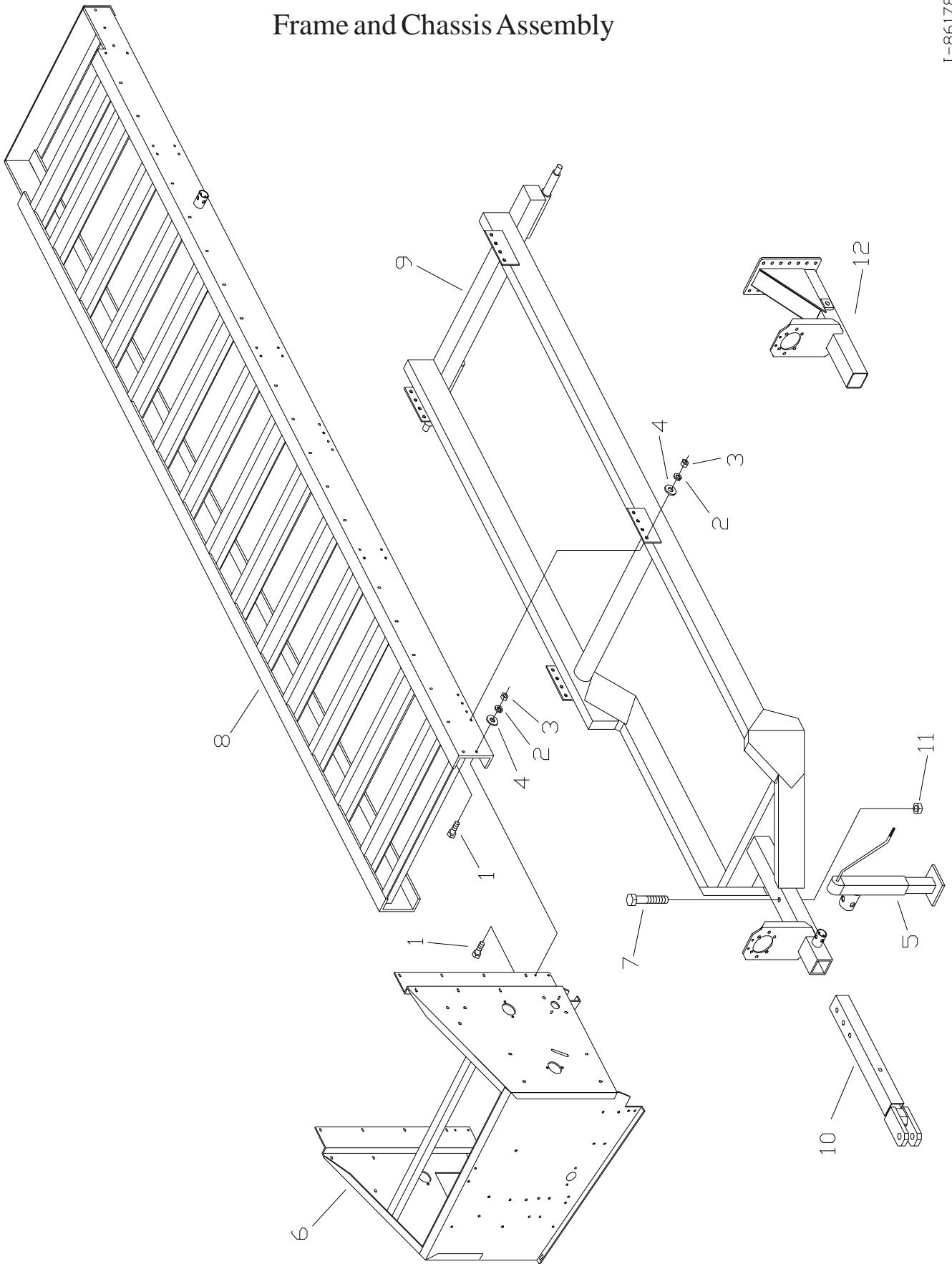
When ordering replacement parts, please provide the following information to your local Millcreek dealer:

- Model and Serial Number of the unit (located on the front right corner of the spreader)
- Part Number and Description as it appears on the following drawings/parts lists

General Spreader Specifications

<u>Specification</u>	<u>406</u>	<u>506</u>	<u>606</u>	<u>706</u>	<u>588</u>	<u>728</u>	<u>1028</u>
Capacity (cu. yds.)	4.0	5.0	6.0	7.0	5.8	7.2	10.2
Maximum Payload (lbs.)	4,000	4,000	7,500	7,500	7,500	10,500	10,500
Overall Width	62"	62"	67"	67"	85"	85"	85"
Overall Length	16'10"	18'10"	20'10"	22'10"	16'10"	18'10"	22'10"
Loading Height	6'	6'	6'6"	6'6"	6'6"	6'10"	6'10"
Body Width	3'	3'	3'	3'	4'6"	4'6"	4'6"
Body Length	8'	10'	12'	14'	8'	10'	14'
Body Height	49"	49"	49"	49"	49"	49"	49"
Weight (unloaded - lbs.)	2500	2700	3300	3500	3200	3600	4200
Construction	-----11-gauge, galvanized steel; heavy channel chassis-----						
Floor	-----10-yr. poly floor-----						
Apron Conveyor Chain	#662 pintle	-----#667X pintle-----			#662 pintle, dual apron	---#667 pintle,--- dual apron	
Wheels	11L x 14 x 12-ply	-----37L x 14 x 15-ply-----			37L x 14 x 15-ply walking beam		
Hubs	-----6-bolt-----		-----8-bolt-----				
Body Finish	-----Industrial, rust-proof-----						
Min. Tractor HP Required	30 HP	30 HP	40 HP	50 HP	40 HP	70 HP	80 HP

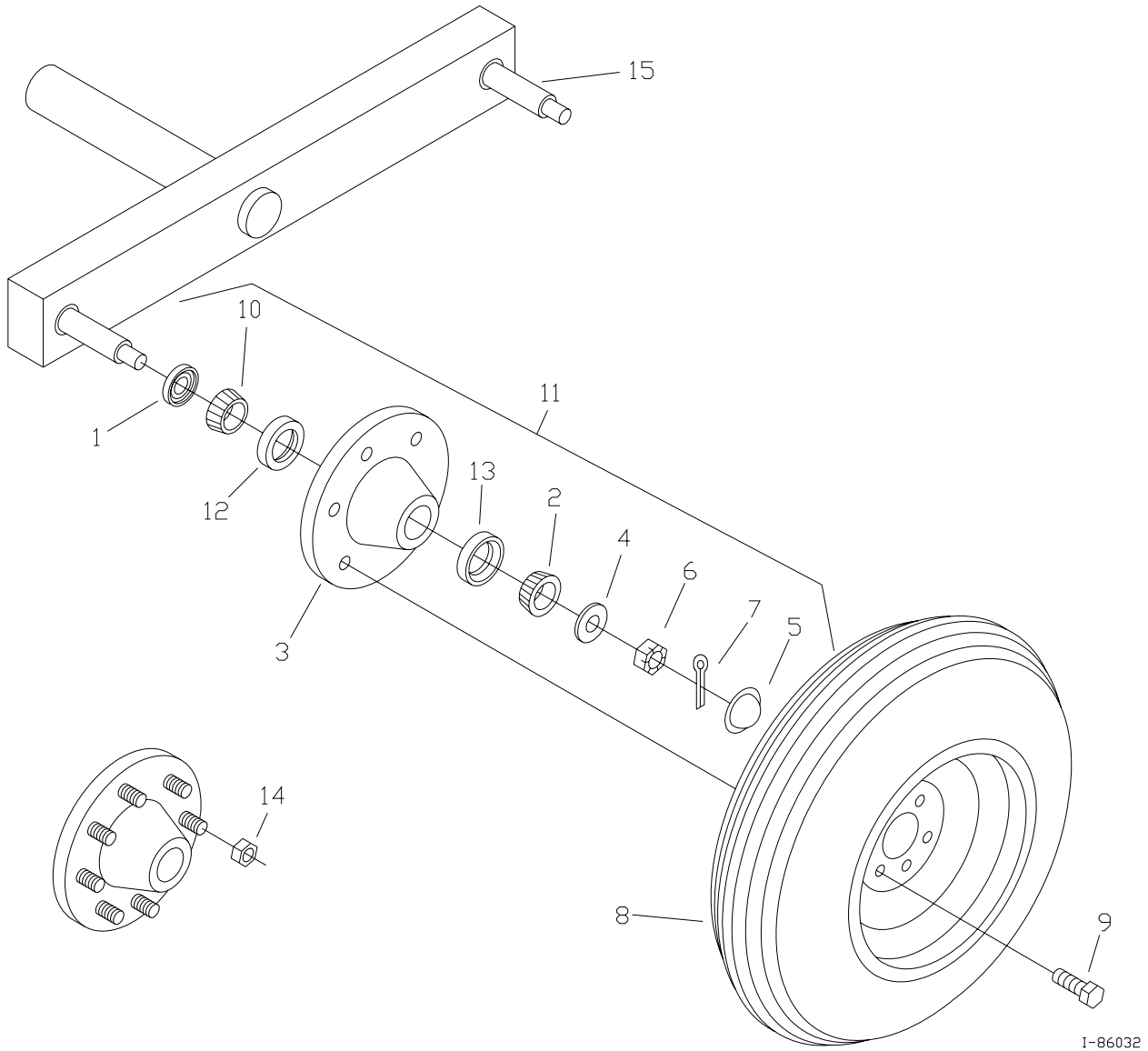
Frame and Chassis Assembly



Frame and Chassis Assembly

ITEM #	PART #	QTY	PART DESCRIPTION
1	34119	20	3/8 x 1 Bolt
2	34141	20	3/8 Lock Washer
3	34087	20	3/8 Nut
4	34018	20	3/8 Washer
5	215187	1	5000 Pound Jack
6	270568	1	Conveyor Housing
7	34262	1	¾ x 6 Bolt
8	270499	1	406 Frame
	271077	1	506 Frame
	270571	1	588 Frame
	270988	1	606 Frame
	270357	1	706 Frame
	270820	1	728 Frame
	270572	1	1028 Frame
	270547	1	406 Chassis
	270562	1	406 Tandem Chassis
	271076	1	506 Chassis
9	270549	1	588 Chassis
	270592	1	588 Tandem Chassis
	271066	1	588 Pot Filler Chassis
	271047	1	588 Pot Filler Tandem Chassis
	270987	1	606 Chassis
	270548	1	706 Chassis
	270563	1	706 Tandem Chassis
	270840	1	728 Chassis
	270846	1	728 Tandem Chassis
	270565	1	1028 Tandem Chassis
10	260788	1	Hitch Extension
11	34265	1	¾ Nylon Stop Nut
12	271043	1	Adjustable Hitch (588 Pot Filler)

Tire and Wheel Assembly



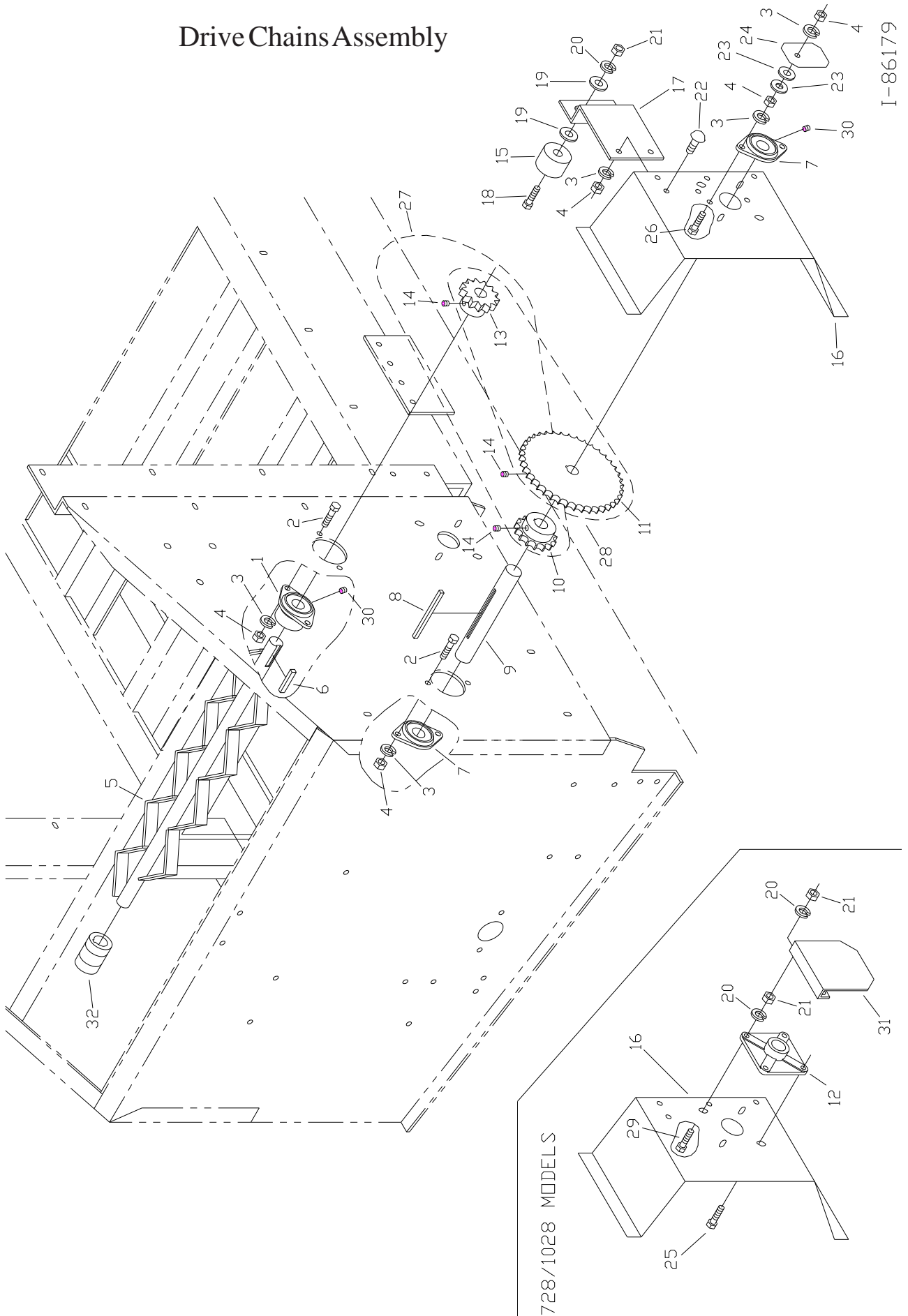
I-86032

Tire and Wheel Assembly

Item #	Part Description	Part #'s for Hub Types			
		6 Hole	8 Hole	WB 8 Lug	WB 6 Hole
1	Grease Seal	215166	215166	215172	215158
2	Outer Bearing Cone	215303	215303	215306	215203
3	Hub	215301	215170	215171	215162
4	Spindle Washer	34216	34216	215183	215164
5	Dust Cap	215169	215169	215175	215161
6	Spindle Nut	215168	215168	215174	215160
7	Cotter Pin	34347	34347	34347	34347
8	Wheel	215194	215356	215356	215133
9	Lug Bolt	215289	215289		215222
10	Inner Bearing Cone	215167	215167	215173	215159
11	Complete Hub	215242	215111	215176	215114
12	Inner Bearing Cup	215300	215300	215304	215279
13	Outer Bearing Cup	215302	215302	215305	215277
14	Lug Nut			215307	
		Part #			
15	Walking Beam RH	270641	(option for 406, 506, 606, 706, 588)		
	Walking Beam LH	270803	(option for 406, 506, 606, 706, 588)		
	Walking Beam	270642	Heavy Duty (standard on 728, 1028)		

Drive Chains Assembly

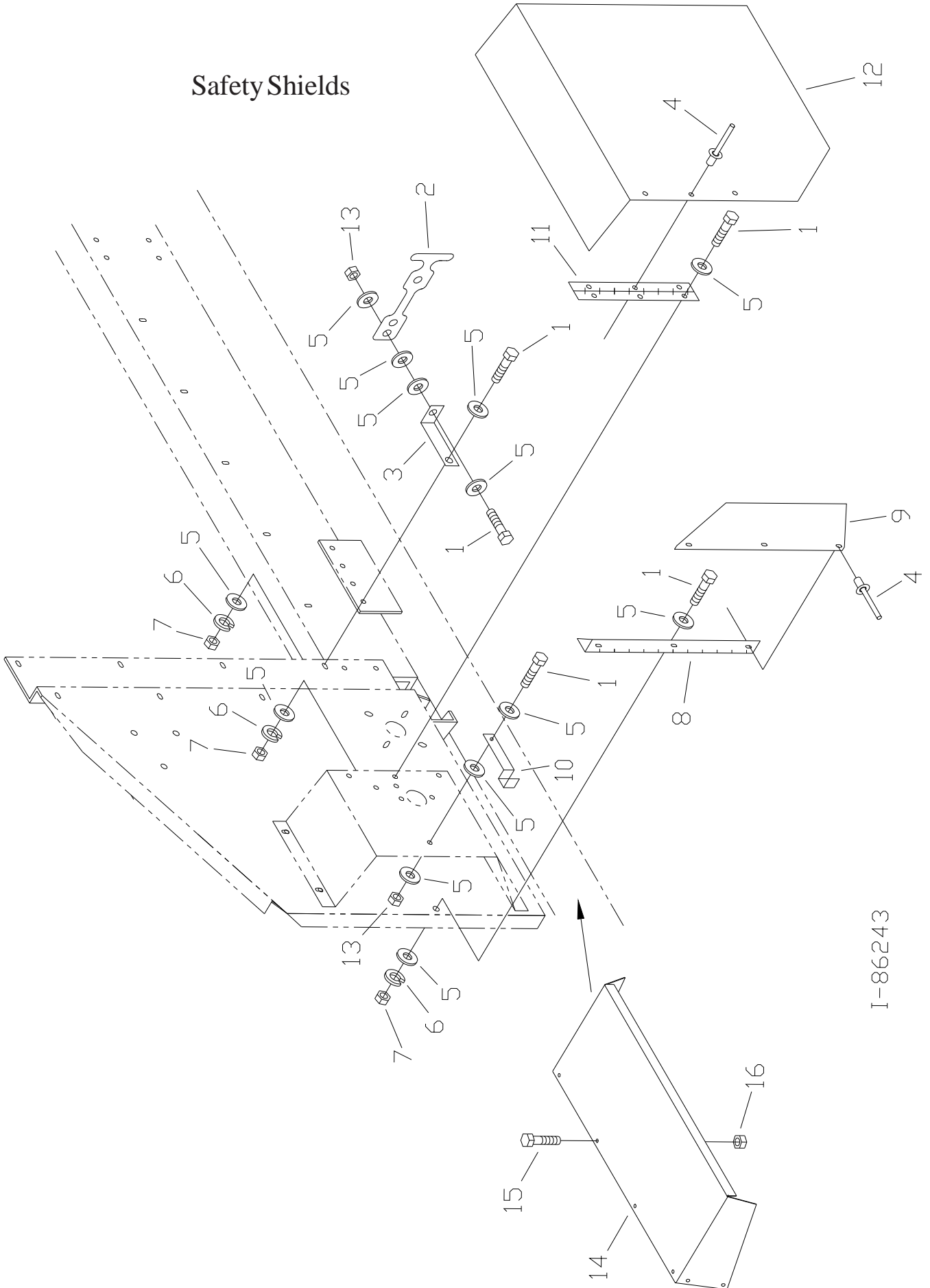
I-86179



Drives Chains Assembly

ITEM #	PART #	406, 506, 588, 606, 706	728, 1028	PART DESCRIPTION
1	261407	1	1	Flanged Bearing With Shield (Includes Item # 30)
2	34199	5	2	3/8 x 1 Bolt
3	34141	9	3	3/8 Lock Washer
4	34087	9	3	3/8 Nut
5		1		Beater (406, 506, 606, 706)
	271055	1	1	Beater (588, 728, 1028)
6	210130	1	1	1/4 x 1 Key
7	210227	2		Flanged Bearing (Includes Item # 30)
8	210248	1		1/4 x 4 Key
	210315		1	3/8 x 4 Key
9	270468	1		Jack Shaft Ø1-1/8
	270785		1	Jack Shaft Ø1-1/2
10	210195	1		15 Tooth Sprocket (Includes Item # 14)
	210264		1	12 Tooth Sprocket (Includes Item # 14)
11	210193	1		38 Tooth Sprocket 1-1/8 Bore (Includes Item # 14)
	270844		1	38 Tooth Sprocket 1-1/2 Bore (Includes Item # 14)
12	210217		2	4 Bolt Cast Bearing
13	210159	1	1	12 Tooth Sprocket (Includes Item # 14)
14	34325	3	3	5/16 x 5/16 Set Screw
15	261050	2	2	Roller Idler
16	270817	1	1	Side Bracket
17	270403	1		Side Roller Bracket
	270790		1	Side Roller Bracket
18	34230	2	2	1/2 x 3 Bolt
19	34094	4	4	1/2 Washer
20	34035	2	12	1/2 Lock Washer
21	34034	2	12	1/2 Nut
22	34006	2	1	3/8 x 1 Carriage Bolt
23	34018	2		3/8 Washer
24	270309	2		Bearing Shaft Shield
25	34226		6	1/2 x 1-1/2 Bolt
26	34224	1		3/8 x 1-1/4 Bolt
27	210232	1		Apron Drive Chain
	210265		1	Apron Drive Chain
28	210233	1	1	Beater Drive Chain
29	34254		2	1/2 x 2 Bolt
30	N/A	4	2	1/4 x 1/4 Set Screw
31	270146		1	Jack Shaft Shield
32	271036	1	1	Shaft Coupler

Safety Shields

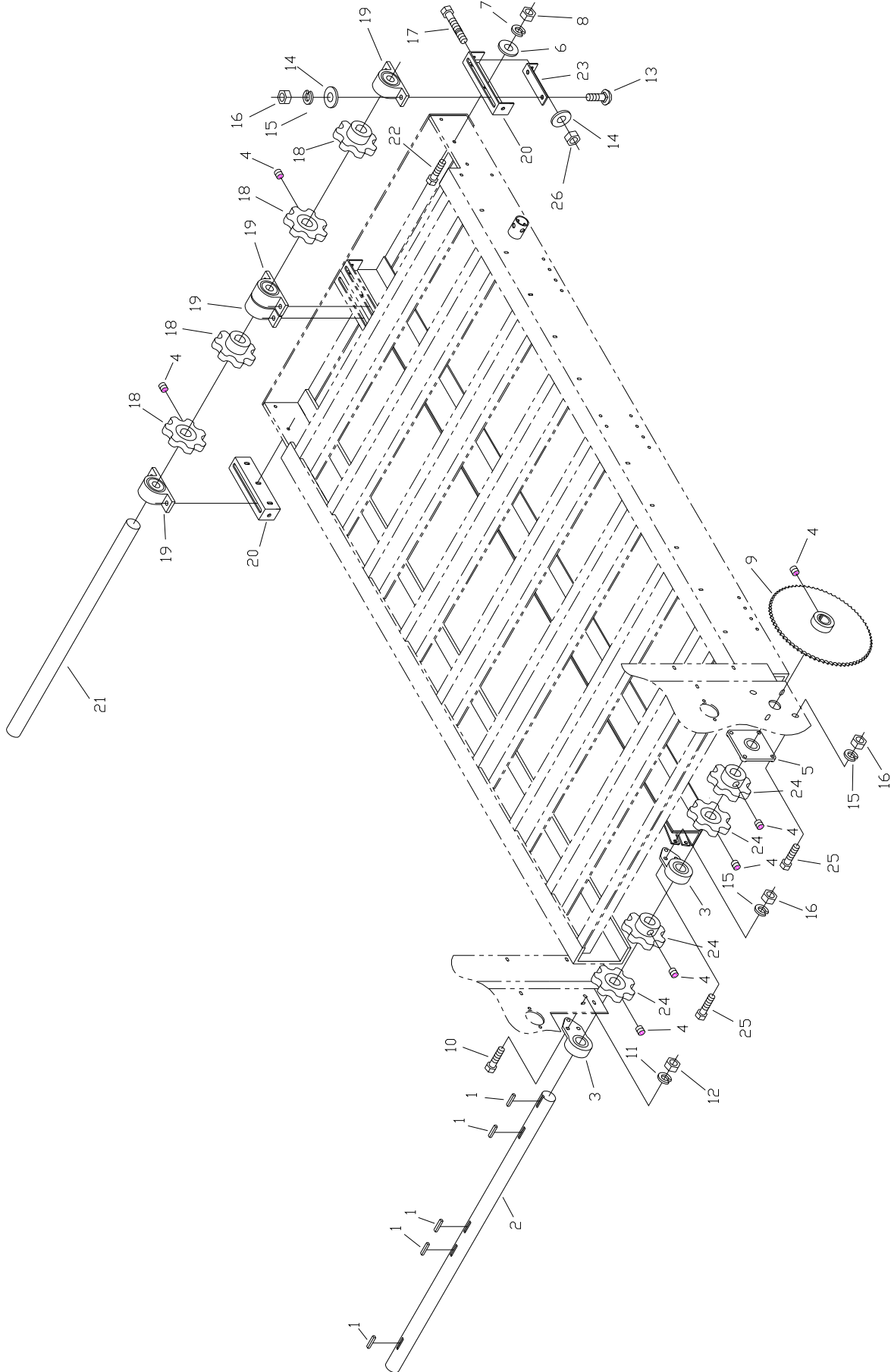


I-86243

Safety Shields

ITEM #	PART #	Qty	PART DESCRIPTION
1	34071	35	1/4 x 3/4 Bolt
2	220113	1	Rubber Latch
3	270325	1	Shield Latch Bracket
4	34346	16	3/16 x 1/4 Pop Rivet
5	34052	52	1/4 Washer
6	34235	34	1/4 Lock Washer
7	34003	34	1/4 Nut
8	270811	1	Side Shield Hinge
9	270395	1	Side Shield (Includes Item #20)
10	270528	1	Side Shield Latch
11	270812	1	Sprocket Shield Hinge
12	270397	1	Sprocket Shield (Includes Item #24)
13	34124	2	1/4 Stop Nut
14	271026	1	Conveyor Shield (588 Pot Filler only)
15	34328	8	5/16 x 3/4 Flange Bolt
16	34099	8	5/16 Flange Nut

Apron Sprocket Assembly

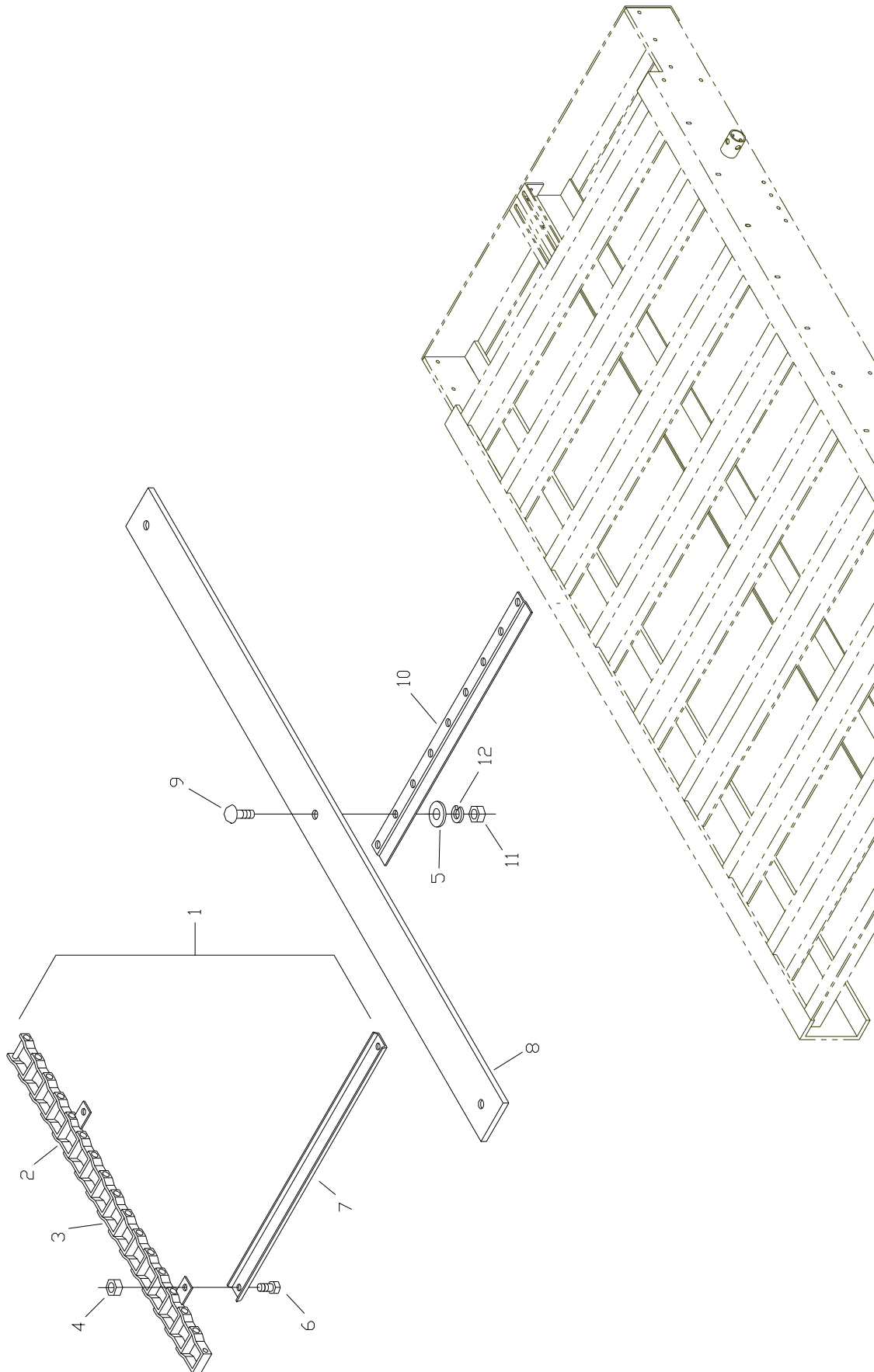


I-86229

Apron Sprocket Assembly

ITEM #	PART #	406, 506	606, 706	588	728, 1028	PART DESCRIPTION
1	210224	3	3	5		3/8 x 1-1/4 Key
	210348				5	1/2 x 1-1/2 Key
2	270320	1	1			Front Apron Shaft
	270245			1		Front Apron Shaft
	270321				1	Front Apron Shaft
3	210218	1	1	2		Front Cast Bearing (Includes Item # 4)
	210261				2	Front Cast Bearing (Includes Item # 4)
4	34325	5	5	9	9	3/8 x 3/4 Set Screw
5	210217	1	1	1		Square Cast Bearing (includes Item # 4)
	210262				1	Square Cast Bearing (includes Item # 4)
6	34018	6	6	6	6	3/8 Washer
7	34141	6	6	6	6	3/8 Lock Washer
8	34087	6	6	6	6	3/8 Nut
9	271053	1	1	1		80 Tooth #60 Sprocket
	271013				1	60 Tooth #80 Sprocket
10	34263	3	3	6	6	7/16 x 1-1/2 Bolt
11	34231	3	3	6	6	7/16 Lock Washer
12	34189	3	3	6	6	7/16 Nut
13	34240	4	4	8	8	1/2 x 2 Carriage Bolt
14	34094	6	6	12	12	1/2 Washer
15	34035	6	6	12	12	1/2 Lock Washer
16	34034	6	6	12	12	1/2 Nut
17	34293	2	2	4	4	1/2 x 5 Bolt
18	270815	2				Rear Apron Sprocket (Includes Item #4)
	270816			4		Rear Apron Sprocket (Includes Item #4)
	210252		2		4	Rear Apron Sprocket (Includes Item #4)
19	210418	2				Rear Apron Shaft Bearing (Includes Item # 4)
	210243		2	4	4	Rear Apron Shaft Bearing (Includes Item # 4)
20	270289	2	2	2	2	Side Bearing Mount
21	270634			2	2	Rear Apron Shaft
	270178	1				Rear Apron Shaft
	270186		1			Rear Apron Shaft
22	34199	6	6	6	6	3/8 x 1 Bolt
23	270282	2	2	4	4	Apron Tensioner Bracket
24	210155	2		4		Front Apron Sprocket (Includes Item #4)
	210249		2		4	Front Apron Sprocket (Includes Item #4)
25	34226	4	4	4	4	1/2 x 1-1/2 Bolt
26	34211	2	2	4	4	1/2 Nylon Stop Nut

Apron Chain / Floor Assembly



I-86038

Apron Chain / Floor Assembly

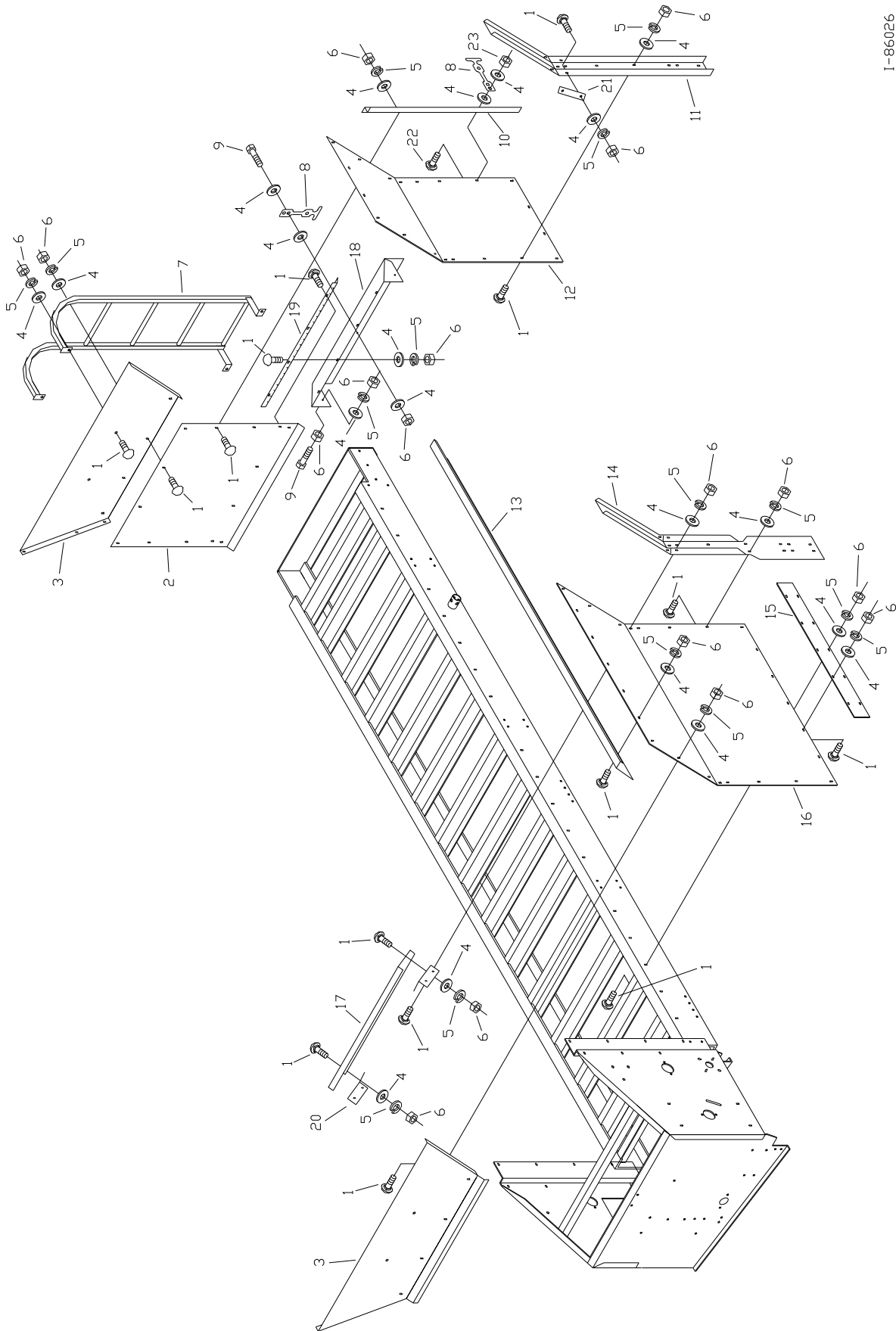
ITEM #	PART #	406	506	588	606	706	728	1028	PART DESCRIPTION
1	270636	1							Apron Chain Complete
	270637		1*		1*	1			Apron Chain Complete
	270638			2					Apron Chain Complete
	270639						2*	2	Apron Chain Complete
2	210256	30		60					Chain Link With Slat Tab
	210258		36		42	48	72	96	Chain Link With Slat Tab
3	210259	244		488					Chain Link
	210260		204		244	284	408	568	Chain Link
4	34124	30		60					1/4 Nylon Stop Nut
	34223		36		42	48	72	96	5/16 Nylon Stop Nut
5	34057	18	18	27	18	24	27	36	5/16 Washer
6	34234	30		60					1/4 x 3/4 Bolt
	34221		36		42	48	72	96	5/16 x 1 Bolt
7	270322			30					Apron Slat
	260528	15							Apron Slat
	270314		18		21	24			Apron Slat
	270635						36	48	Apron Slat
8	215104	6		9					Floor Board
	215105		6*		6*	6	9*	9	Floor Board
9	34282	18	18	27	18	24	27	36	5/16 x 1-1/2 Carriage Bolt
10	260433			2			2	3	Floor Board Retainer
	260482	2	2		2	3			Floor Board Retainer
11	34020	18	18	27	18	24	27	36	5/16 Nut
12	34203	18	18	27	18	24	27	36	5/16 Lock Washer

Optional Fine Material Apron Chain

1	270804	1							Apron Chain Complete
	270805		1*		1*	1			Apron Chain Complete
	270806			2					Apron Chain Complete
	270808						2*	2	Apron Chain Complete
7	270322			136					Apron Slat
	260528	68							Apron Slat
	270314		62		72	82			Apron Slat
	270635						124	164	Apron Slat

*Specify Model #'s when ordering

Box Assembly

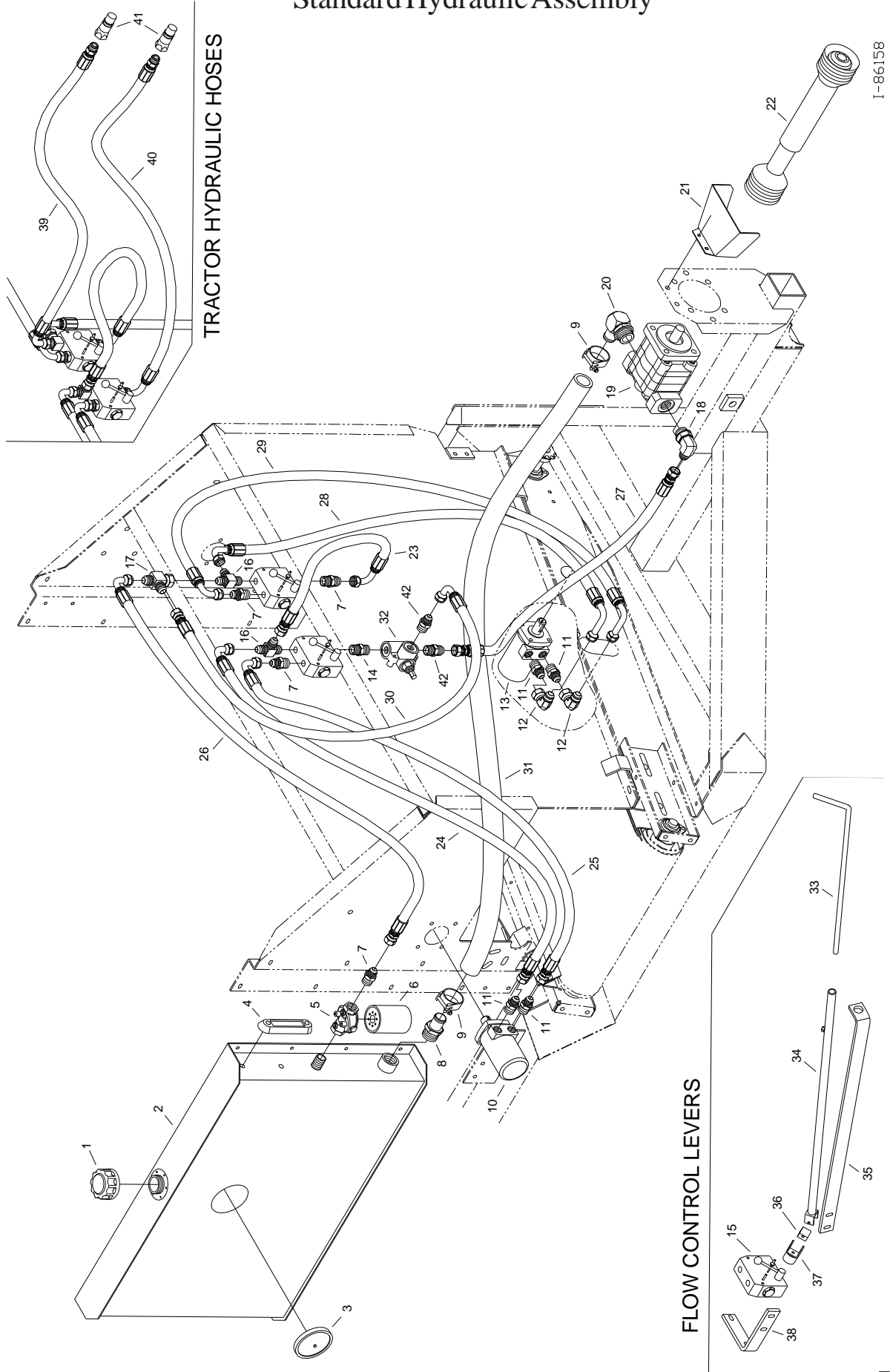


I-86026

Box Assembly

ITEM #	PART #	406	506	588	606	706	728	1028	PART DESCRIPTION
1	34250	175	239	190	247	311	254	318	5/16 x 1 Carriage Bolt
2	270290	1	1		1	1			Lower Back
	270113			1			1	1	Lower Back
3	270112	2	2		2	2			Upper End
	270561			2			2	2	Upper End
4	34057	181	245	200	253	317	264	328	5/16 Washer
5	34203	176	240	193	248	312	257	321	5/16 Lock Washer
6	34020	178	242	195	250	314	259	323	5/16 Nut
7	270106	1	1	1	1	1	1	1	Ladder
8	220113	2	2	4	2	2	4	4	Rubber Latch
9	34046	2	2	2	2	2	2	2	5/16 x 1-1/4 Bolt
10	270115	1	1	1	1	1	1	1	Left Box Support
	270114	1	1	1	1	1	1	1	Right Box Support
11	270376		2		4	4		4	Side Support
12	270377		2			2	2	2	Short Side Panel
13	270175	2		2		2		2	Long Edging
	270218				2	1		1	Short Edging RH
	270837				2	1		1	Short Edging LH
	270967		1				1		Edging RH
	270968		1				1		Edging LH
14	270105	2	2	2		2		2	Side Support
15	270305	4		4					Side Bracket
16	270300	4	4	4	6	6	4	6	Long Side Panel
17	260842	2	3		3	4			Center Support
	270190			2			3	4	Center Support
18	270118	1	1		1	1			Apron Tightener Shield
	270560			1			1	1	Apron Tightener Shield
19	270813	1	1		1	1			Back Shield Hinge
	270814			1			1	1	Back Shield Hinge
20	270231	4	6	4	6	8	6	8	Center Support Bracket
21	270304	4	8	4	8	12	8	12	Corner Brace
22	34282	1	1	2	1	1	2	2	5/16 x 1-1/2 Carriage Bolt
23	34223	1	1	2	1	1	2	2	5/16 Nylon Stop Nut

Standard Hydraulic Assembly

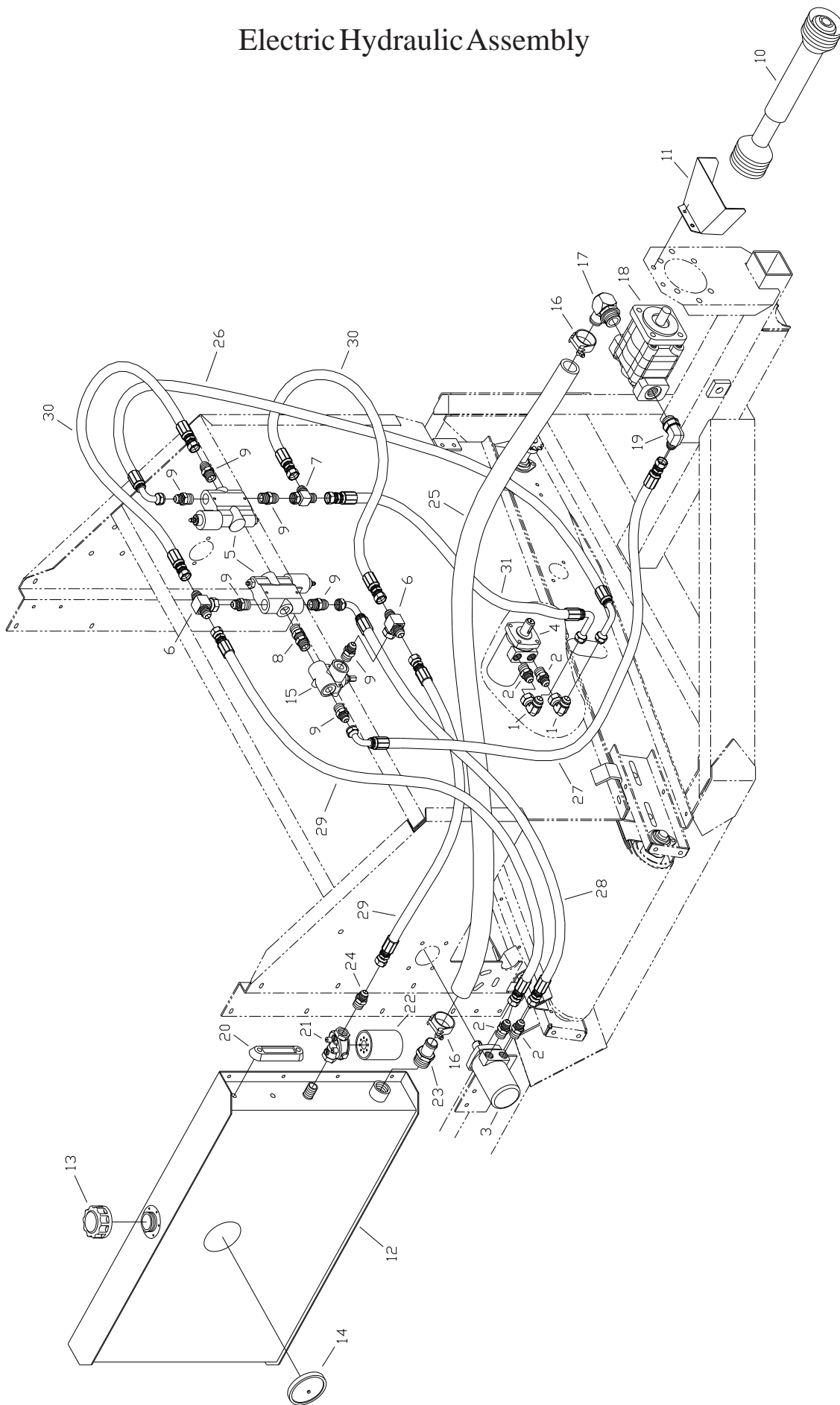


Standard Hydraulic Assembly

Item #	Part #	PTO Hyd	Tractor Hyd	Part Description
		Qty	Qty	
1	240188	1		Reservoir Fill Cap
2	270906	1		Oil Tank
3	240184	1		Clean Out Door
4	240178	1		Thermometer w/Sight Gauge
5	240130	1		Filter Head (12FP ports)
6	240131	1		Filter (10 micron)
7	240112	4	4	Adapter Fitting 12MJ-12MP
8	240170	1		Adapter Fitting 20HS-20MP
9	240138	2		Suction Hose Clamp
10	240134	1	1	Apron Drive Motor
11	240203	4	4	Adapter Fitting 12MJ-10MB
12	240119	2	2	Adapter Fitting 12MJ-12FJX90
13	240135	1	1	Cross Conveyor Motor
14	240249	1		Adapter Fitting 12MP-12MB
15	240129	2	2	Flow Control
16	240113	2	2	Adapter Fitting 12MP-12MJ-12MJ
17	240230	1		Adapter Fitting 12FJX-12MJ-12MJ
18	240173	1		Adapter Fitting 12MJ-16MB90
19	240132	1		Pump
20	240147	1		Adapter Fitting 20HS-20MB90
21	270535	1		Shield
22	210352	1		PTO Shaft
23	243146	1	1	Hose 24" 12FJX-12FJX90S
24	243147	1	1	Hose 42" 12FJX-12FJX90S (406/706)
	243148	1	1	Hose 51" 12FJX-12FJX90S (588)
25	243149	1	1	Hose 40" 12FJX-12FJX90S (406/706)
	243150	1	1	Hose 49" 12FJX-12FJX90S (588)
26	243151	1		Hose 58" 12FJX-12FJX90S (406/706)
	243152	1		Hose 67" 12FJX-12FJX90S (588)
27	243183	1		Hose 30" 12FJX-12FJX (406/706)
	243153	1		Hose 37" 12FJX-12FJX (588)
28	243154	1	1	Hose 39" 12FJX90L-12FJX90S
29	243155	1	1	Hose 53" 12FJX90L-12FJX90S
30	243156	1		Hose 26" 12FJX-12FJX90S
31	243157	1		Suction Hose 70" (406/706)
	243158	1		Suction Hose 86" (588/1028)
32	240248	1		Relief Valve (12FB ports)
33	270631	2	2	Extension Rod
34	270976	2	2	Pipe
35	270978	2	2	Support
36	270979	2	2	Block
37	270973	2	2	U-Joint
38	270977	2	2	Bracket
39	243159		1	Hose 100" 12FJX90S-8MP
40	243160		1	Hose 96" 12FJX90S-8MP
41	240233		2	Quick Coupler to Tractor
42	240117	2		Adapter Fitting 12MJ-12MB

Electric Hydraulic Assembly

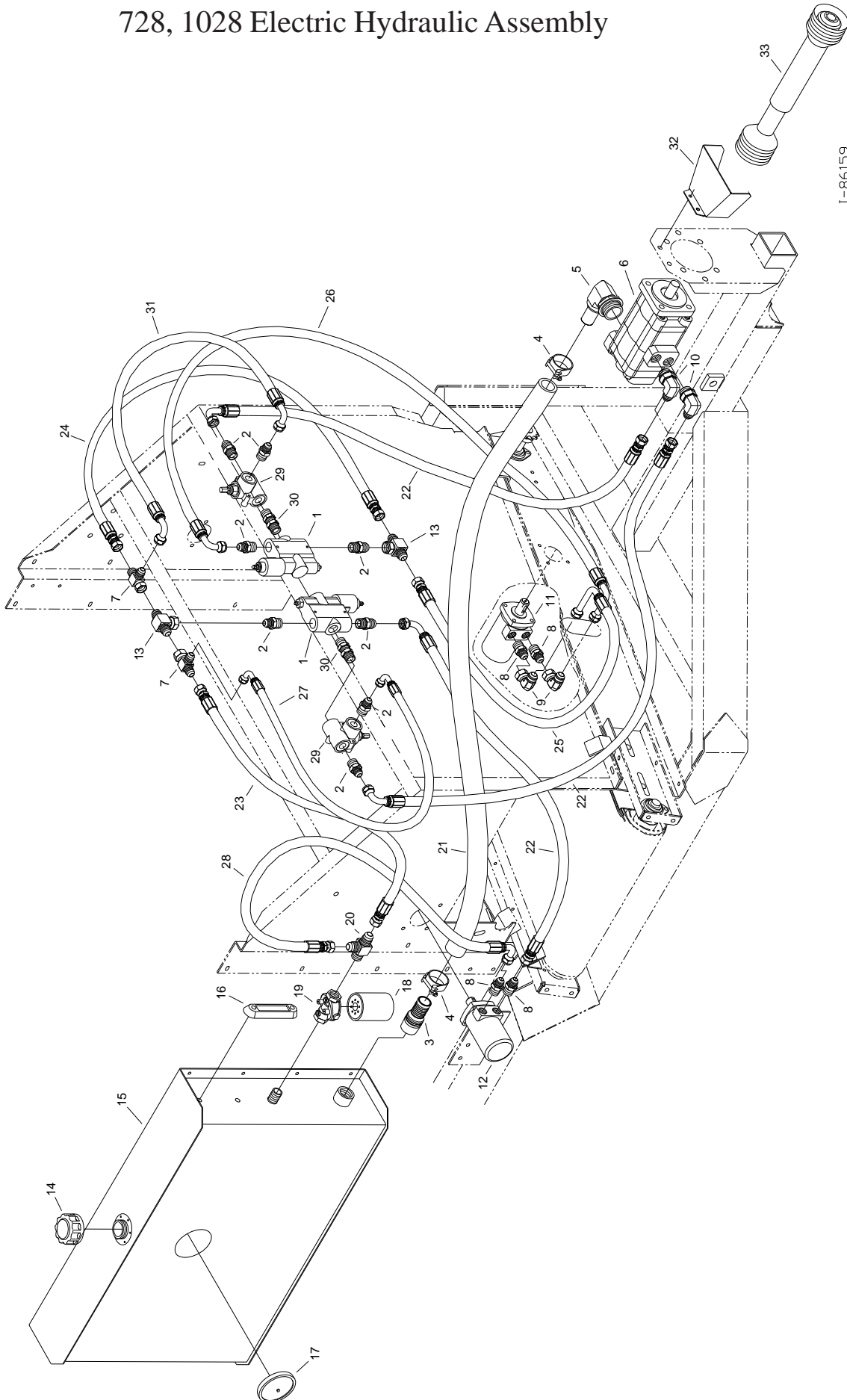
I-86230



Electric Hydraulic Assembly

Item #	Part #	Qty	Part Description
1	240119	2	Adapter Fitting 12MJ-12FJX90
2	240203	4	Adapter Fitting 12MJ-10MB
3	240134	1	Apron Drive Motor
4	240135	1	Cross Conveyor Motor
5	240228	2	Electronic Flow Control
6	240122	2	Adapter Fitting 12MJ-12MJ-12FJX
7	240230	1	Tee 12MJ-12FJX-12MJ
8	240259	1	Adapter 12MB-12MB
9	240117	7	Adapter Fitting 12MJ-12MB
10	210352	1	PTO Shaft
11	270535	1	Shield
12	270906	1	Hydraulic Oil Tank
13	240188	1	Reservoir Fill Cap
14	240184	1	Clean Out Door
15	240248	1	Relief Valve #12 SAE Ports
16	240138	2	Suction Hose Clamp
17	240147	1	Adapter Fitting 20HS-20MB90
18	240132	1	Pump
19	240173	1	Adapter Fitting 12MJ-16MB90
20	240178	1	Thermometer w/Sight Gauge
21	240130	1	Filter Head (12FP Ports)
22	240131	1	Filter (10 micron)
23	240170	1	Adapter Fitting 20HS-20MP
24	240112	1	Adapter Fitting 12MJ-12MP
25	243158	1	Suction Hose 90"
26	243166	1	Hose 48" 12FJX90S-12FJX90L
27	243150	1	Hose 48" 12FJX-12FJX90S
28	243162	1	Hose 44" 12FJX-12FJX90S
29	243179	2	Hose 48" 12FJX-12FJX
30	243180	2	Hose 34" 12FJX-12FJX
31	243181	1	Hose 30" 12FJX-12FJX90L

728, 1028 Electric Hydraulic Assembly

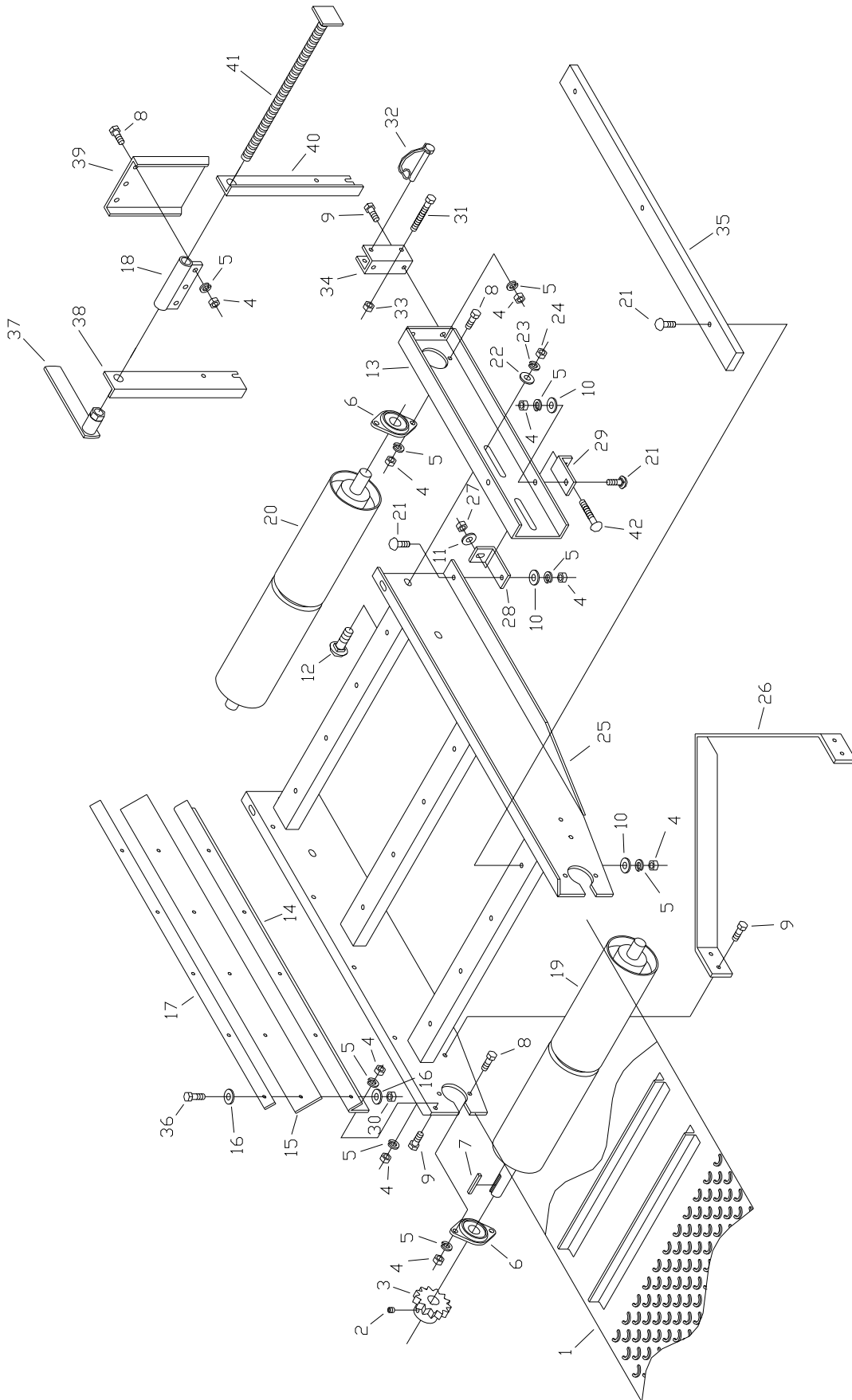


1-86159

728, 1028 Electric Hydraulic Assembly

Item #	Part #	Qty	Part Description
1	240228	2	Electronic Flow Control
2	240117	8	Adapter Fitting 12MJ-12MB
3	240268	1	Adapter Fitting 24MP-24HB
4	240214	2	Suction Hose Clamp
5	240260	1	Adapter Fitting 24MB-24FP90
6	240133	1	Dual Pump
7	240230	2	Tee 12MJ-12FJX-12MJ
8	240203	4	Adapter Fitting 12MJ-10MB
9	240119	2	Adapter Fitting 12MJ-12FJX90
10	240173	2	Adapter Fitting 12MJ-16MB90
11	240135	1	Cross Conveyor Motor
12	240134	1	Apron Drive Motor
13	240122	2	Adapter Fitting 12MJ-12MJ-12FJX
14	240188	1	Reservoir Fill Cap
15	270955	1	Hydraulic Oil Reservoir
16	240178	1	Thermometer w/Sight Gauge
17	240184	1	Clean Out Door
18	240131	1	Filter (10 micron)
19	240209	1	Filter Head (16FP ports)
20	240258	1	Tee 16MJ-16MP-16MJ
21	243161	1	Suction Hose 88"
22	243162	3	Hose 44" 12FJX-12FJX90S
23	243163	1	Hose 44" 12FJX-16FJX
24	243164	1	Hose 44" 12FJX-12FJX
25	243165	1	Hose 36" 12FJX-12FJX90L
26	243166	1	Hose 48" 12FJX90S-12FJX90L
27	243178	1	Hose 24" 12FJX90S-12FJX90S
28	243168	1	Hose 38" 16FJX-12FJX90S
29	240248	2	Relief Valve #12 SAE Ports
30	240259	2	Adapter 12MB-12MB
31	243177	1	Hose 30" 12FJX90S-12FJX90S
32	270535	1	Shield
33	210352	1	PTO Shaft

Standard Cross Conveyor



I-86033

Standard Cross Conveyor

Item #	Qty.	MC Part# per Model		Component Description
		406/506/606/706	588	
1	1	215236 (88")	215266 (124")	Cleated Conveyor Belt (Includes Lacing)
	1	215188 (88")	215189 (124")	Crescent Conveyor Belt (Includes Lacing)
	1	220183	220183	Lacing for Belt
2	1	34325	34325	5/16 x 5/16 Set Screw
3	1	210145	210145	12 Tooth Sprocket
4	36	34020	34020	5/16 Nut
5	36	34203	34203	5/16 Lock Washer
6	4	210144	210144	1" Flange Bearing
7	1	210130	210130	¼ x 1 Key
8	8	34200	34200	5/16 x ¼ Bolt
9	8	34221	34221	5/16 x 1 Bolt
10	28	34057	34057	5/16 Washer
11	2	34018	34018	3/8 Washer
12	4	34246	34246	½ x 1-1/2 Carriage Bolt
13	2	270216	270216	Conveyor Extension (14.5")
14	1	270513	270508	Front Edging Bracket
	1	270512	270507	Rear Edging Bracket
15	2	220151 (37")	220153 (55")	Rubber Seal
16	20	34052	34052	¼ Washer
17	2	270601	270598	Rubber Seal Support
18	4	270576	270576	Deflector Mount
19	1	215325	215325	Conveyor Drive Roller (Mechanical)
	1	215327	215327	Conveyor Drive Roller (Hydraulic)
20	1	215326	215326	Conveyor Idler Roller
21	16	34250	34250	5/16 x 1 Carriage Bolt
22	4	34094	34094	½ Washer
23	4	34035	34035	½ Lock Washer
24	4	34034	34034	½ Nut
25	1	270536	270537	Conveyor Frame
26	1	270189	270189	Conveyor Scraper
27	2	34220	34220	3/8 Nylon Stop Nut
28	2	270271	270271	Lower Conveyor Tightener
29	2	270323	270323	Upper Conveyor Tightener
30	10	34124	34124	¼ Nylon Stop Nut
31	4	34252	34252	3/8 x 1-3/4 Bolt
32	2	220127	220127	Wire Lock Pin
33	2	34210	34210	3/8 Thin Nylon Stop Nut
34	2	270894	270894	Deflector Bracket
35	4	215185	215186	Conveyor Support Strip
36	10	34214	34214	¼ x 1 Bolt
37	1	270578	270578	Deflector Tightener Arm
38	1	270446	270446	Front Deflector Support
39	4	270448	270448	Deflector Plate
40	1	270445	270445	Rear Deflector Support
41	1	270579	270579	Deflector Shaft
42	2	34324	34324	3/8 x 5 Carriage Bolt

Extension Conveyor

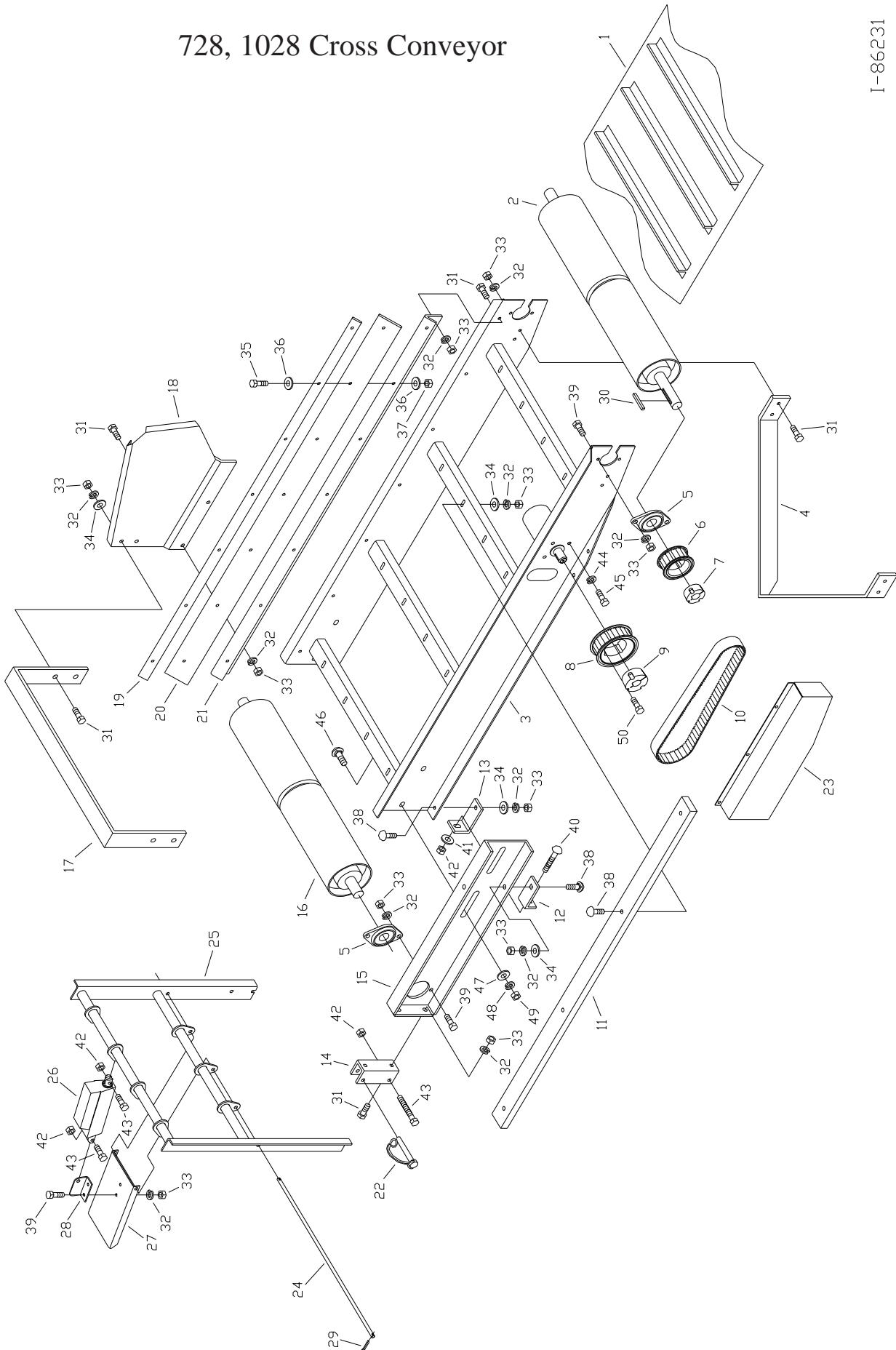
1	1	215190 (104")	215191 (140")	Cleated Conveyor Belt (Includes Lacing)
43	1	270501	270501	Conveyor Front Side Ext - <i>Shown</i>
	1	270500	270500	Conveyor Rear Side Ext
44	1	270515	270515	Conveyor Side Ext Brace
45	2	270599	270600	Hold Down Rubber
46	2	220152 (45")	220154 (63")	Seal Conveyor
47	1	270503	270505	Conveyor Edging Front - <i>Shown</i>
		270504	270506	Conveyor Edging Rear
48	2	270406	270406	Belt Tensioner Beam (22.5")

Pot Filler Cross Conveyor

Item #	Qty	Part #	Description
1	1	270704	Funnel Right Side
2	1	270706	Funnel Front
3	1	270705	Funnel Rear
4	2	270703	Funnel Attach Tube
5	1	270702	Funnel Left Side
6	4	210144	1" Flanged Bearing
7	1	215326	Conveyor Idler Roller
8	1	270889	Conveyor Edging Rear
	1	270890	Conveyor Edging Front
9	2	220188	Rubber Conveyor Seal
10	2	271052	Rubber Hold Down Strip
11	2	270894	Quick Attach Bracket
12	2	220127	Wire Lock Pin
13	2	270216	Conveyor Extension
14	2	270271	Lower Conveyor Tightener
15	2	270323	Upper Conveyor Tightener
16	2	220132	Pin
17	4	220133	Clip
18	1	240262	Hydraulic Cylinder (includes item # 16 & 17)
19	2	240269	Adapter Fitting 8MB-4MJ
20	2		1/4" Hose 120" Long
21	2	240233	Tractor Connect Fitting
22	4	215344	Conveyor Support
23	1	271022	Cylinder Bracket
24	1	271051	Conveyor Frame
25	1	270951	Shield
26	1	270189	Conveyor Scraper
27	2	210145	12 Tooth Sprocket
28	1	215327	Conveyor Drive Roller
29	1	215343	Crescent Conveyor Belt
30	1	210130	Key 1/4 x 1
31	1		Chain #50 RC x 50 Links
32	64	34203	5/16 Lock Washer
33	64	34020	5/16 Nut
34	24	34057	5/16 Washer
35	20	34214	1/4 x 1 Bolt
36	40	34052	1/4 Washer
37	20	34124	1/4 Nylon Stop Nut
38	24	34250	5/16 x 1 Carriage Bolt
39	8	34200	5/16 x 3/4 Bolt
40	2	34324	3/8 x 5 Carriage Bolt
41	2	34018	3/8 Washer
42	4	34220	3/8 Nylon Stop Nut
43	2	34252	3/8 x 1-3/4 Bolt
44	4	34141	3/8 Lock Washer
45	4	34197	3/8 x 3/4 Bolt
46	4	34246	1/2 x 1-1/2 Carriage Bolt
47	4	34094	1/2 Washer
48	4	34035	1/2 Lock Washer
49	4	34034	1/2 Nut
50	32	34221	5/16 x 1 Bolt
51	16	34099	5/16 Flange Nut
52	12	34136	5/16 x 1/2 Flange Bolt

728, 1028 Cross Conveyor

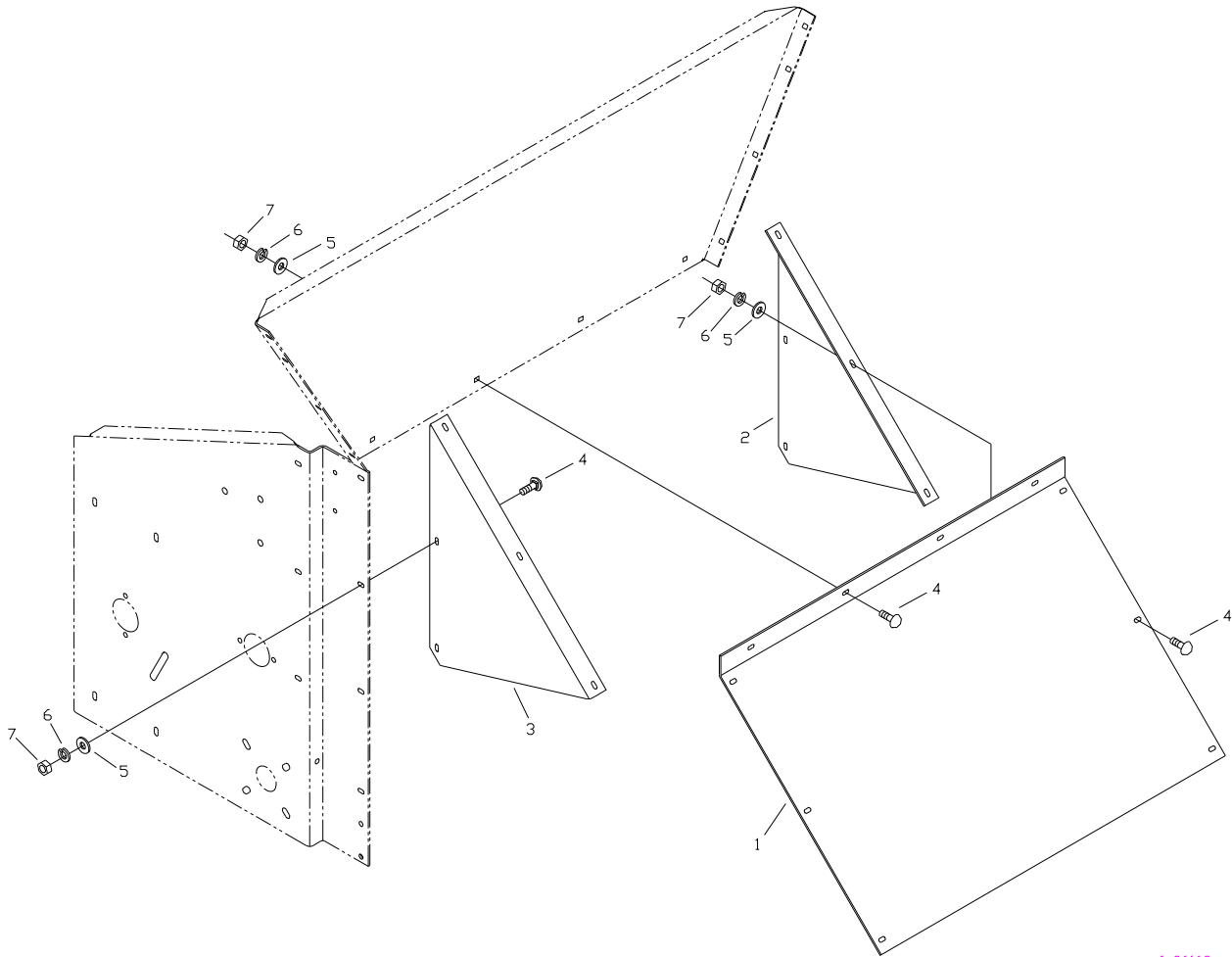
I-86231



728, 1028 Cross Conveyor

<u>Item #</u>	<u>Qty</u>	<u>Part #</u>	<u>Description</u>
1	1	215191	Cleated Conveyor Belt (includes lacing)
2	1	215327	Conveyor Drive Roller
3	1	271065	Conveyor Frame
4	1	270189	Conveyor Scraper
5	4	210144	1" Flanged Bearing
6	1	210382	Synchronous Sprocket 36 Teeth
7	1	210394	Taper-Lock Bushing (small)
8	1	210383	Synchronous Sprocket 48 Teeth
9	1	210393	Taper-Lock Bushing (large)
10	1	210384	Synchronous Belt
11	4	271012	Conveyor Support Strip
12	2	270323	Upper Conveyor Tightener
13	2	270271	Lower Conveyor Tightener
14	2	270894	Quick Attach Bracket
15	2	270406	Belt Tensioner Beam
16	1	215326	Conveyor Idler Roller
17	1	270515	Conveyor Side Extension Brace
18	1	270500	Conveyor Rear Side Extension (shown)
	1	270501	Conveyor Front Side Extension
19	2	270600	Rubber Hold Down Strip
20	2	220154	Rubber Conveyor Seal
21	1	270505	Conveyor Edging Front
	1	270506	Conveyor Edging Rear (shown)
22	2	220127	Wire Lock Pin
23	1	271010	Shield Conveyor Drives
24	1	271002	Deflector Pivot Shaft
25	1	271001	Deflector Mounting Frame
26	4	215313	Actuator
27	4	270998	Deflector
28	4	270999	Actuator Mounting Bracket
29	2	34385	Cotter Pin
30	1	210130	Key 1/4 x 1
31	30	34221	5/16 x 1 Bolt
32	58	34203	5/16 Lock Washer
33	58	34020	5/16 Nut
34	24	34057	5/16 Washer
35	14	34214	1/4 x 1 Bolt
36	28	34052	1/4 Washer
37	14	34124	1/4 Nylon Stop Nut
38	20	34250	5/16 x 1 Carriage Bolt
39	16	34200	5/16 x 3/4 Bolt
40	2	34324	3/8 x 5 Carriage Bolt
41	2	34018	3/8 Washer
42	12	34220	3/8 Nylon Stop Nut
43	10	34252	3/8 x 1-3/4 Bolt
44	4	34141	3/8 Lock Washer
45	4	34197	3/8 x 3/4 Bolt
46	4	34246	1/2 x 1-1/2 Carriage Bolt
47	4	34094	1/2 Washer
48	4	34035	1/2 Lock Washer
49	4	34034	1/2 Nut

Load Retainer



I-86162

Item #	MC Part #	Qty.	Component Description
1	270557	1	Load Retainer (406, 506, 606, 706)
	270769	1	Load Retainer (588, 728, 1028)
2	270558	1	Load Retainer Bracket RH
3	270559	1	Load Retainer Bracket LH
4	34275	14	5/16 x 1 Carriage Bolt
5	34057	14	5/16 Washer
6	34203	14	5/16 Lock Washer
7	34020	14	5/16 Nut

APPENDIX B: ROW MULCHER OPTIONS

The following information is provided for your reference in understanding how the row mulcher option components are assembled and/or installed on the row mulcher. Parts detail drawings and parts lists for some of the options are provided in this section; other options, relating to standard equipment, may already be pictured and detailed in other parts of the manual as indicated below.

Pictured/Detailed in Appendix B

- METERING GATE
- LOAD RETAINER
- SPILL GUARD

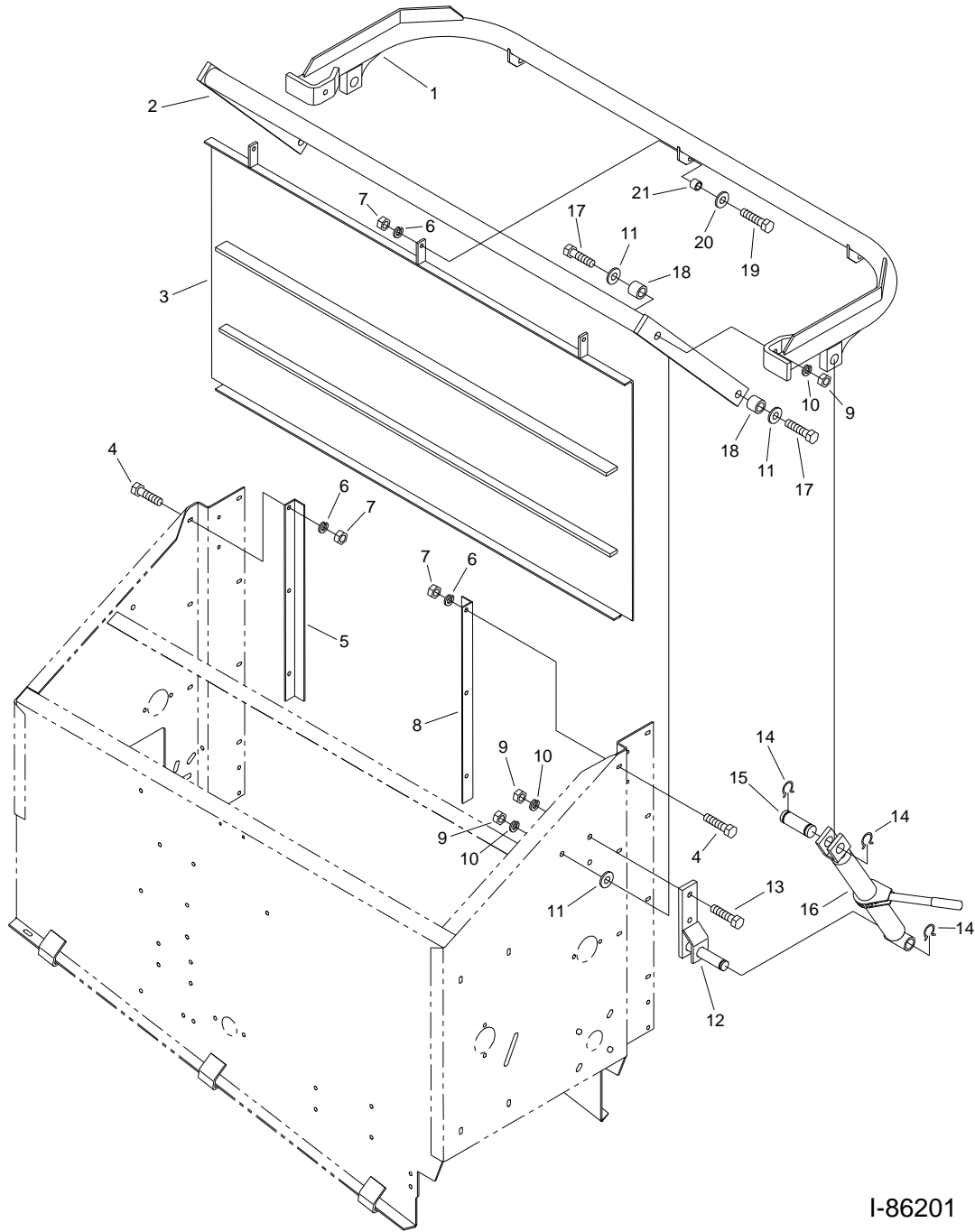
See Appendix A for related components/assemblies

- FINE MATERIALS APRON CHAIN
- CLEATED BELT
- EXTENSION CONVEYOR
- TANDEM AXLE

Pictured/Detailed in Section 2

- SAFETY TOW CHAIN

Metering Gate

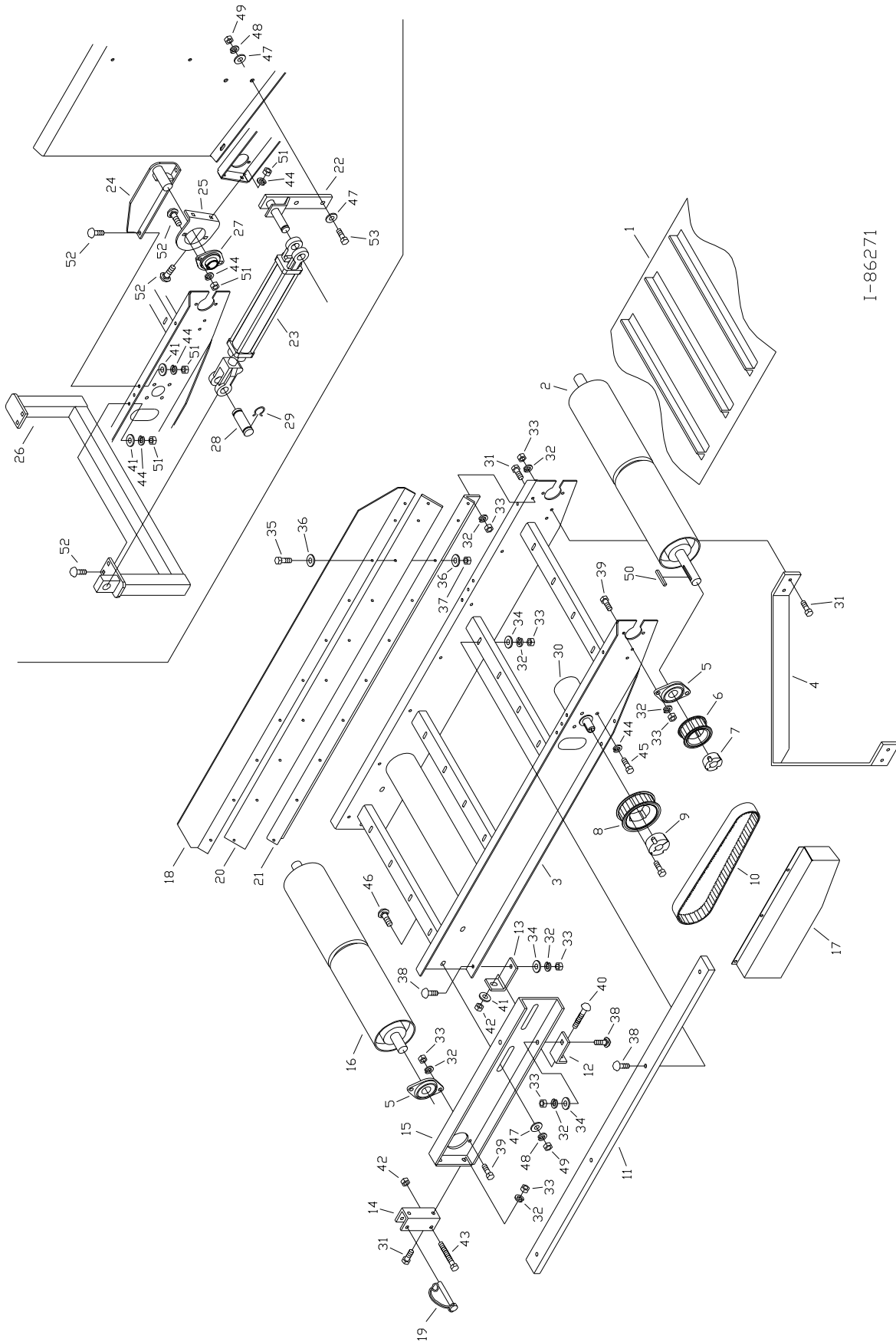


I-86201

Metering Gate

<u>Item #</u>	<u>MC Part #</u>	<u>Qty. per Model</u>		<u>Component Description</u>
		<u>406/506</u>	<u>588/728</u>	
		<u>606/706</u>	<u>1028</u>	
1	270222	1		Metering Gate Frame (406/706)
	270385		1	Metering Gate Frame (588)
2	270365	1		Lift Support Bracket (406/706)
	270386		1	Lift Support Bracket (588)
3	270233	1		Metering Gate (406/706)
	270384		1	Metering Gate (588)
4	34199	6	6	3/8 x 1 Bolt
5	270371	1	1	Angle Right Side
6	34141	8	9	3/8 Lock Washer
7	34087	8	9	3/8 Nut
8	270227	1	1	Angle Left Side
9	34034	6	6	1/2 Nut
10	34035	6	6	1/2 Lock Washer
11	34227	6	6	1/2 Washer
12	270366	1	1	Lift Mount Bracket
13	34226	2	2	1/2 x 1-1/2 Bolt
14	220133	3	3	Clip
15	220132	1	1	Pin
16	215335	1	1	Ratchet Jack
17	34254	4	4	1/2 x 2 Bolt
18	270367	4	4	1/2 ID Bushing
19	34255	2	3	3/8 x 1-1/2 Bushing
20	34018	2	3	3/8 Washer
21	270368	2	3	3/8 ID Bushing

Extension Conveyor

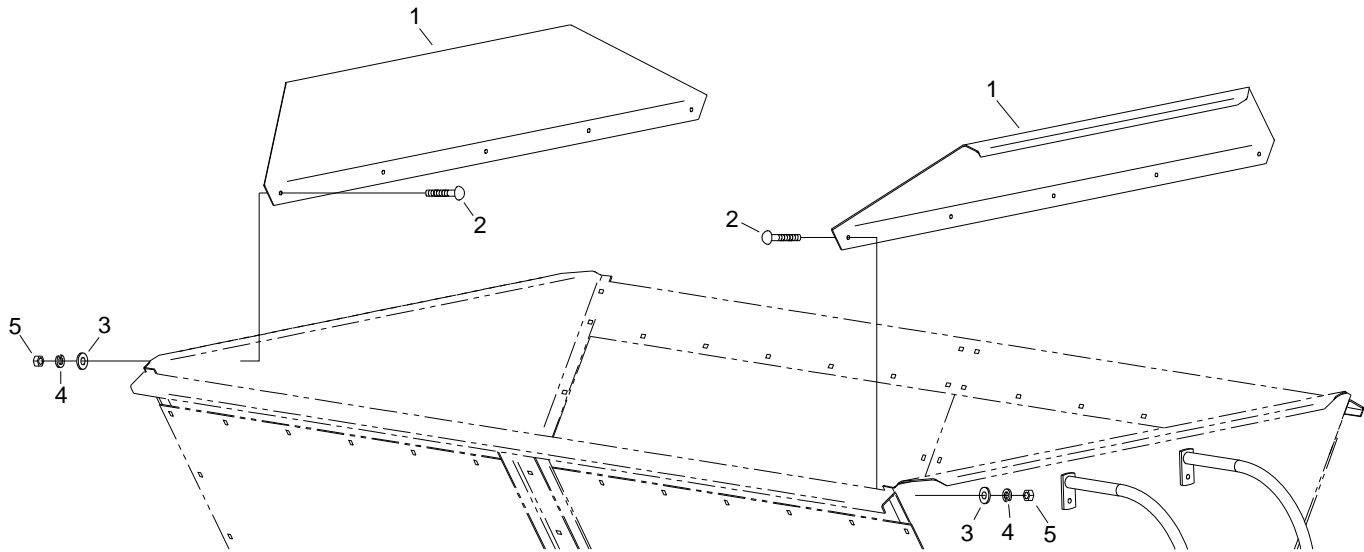


I-86271

Extension Conveyor

<u>Item #</u>	<u>Qty</u>	<u>Part #</u>	<u>Description</u>
1	1	215191	Cleated Conveyor Belt (includes lacing)
2	1	215327	Conveyor Drive Roller
3	1	271065	Conveyor Frame
4	1	270189	Conveyor Scraper
5	4	210144	1" Flanged Bearing
6	1	210382	Synchronous Sprocket 36 Teeth
7	1	210394	Taper-Lock Bushing (small)
8	1	210383	Synchronous Sprocket 48 Teeth
9	1	210393	Taper-Lock Bushing (large)
10	1	210384	Synchronous Belt
11	4	271012	Conveyor Support Strip
12	2	270323	Upper Conveyor Tightener
13	2	270271	Lower Conveyor Tightener
14	2	270894	Quick Attach Bracket
15	2	270406	Belt Tensioner Beam
16	1	215326	Conveyor Idler Roller
17	1	271010	Shield Conveyor Drives
18	1	271187	Front Conveyor Side
	1	27188	Rear Conveyor Side (shown)
19	2	220127	Wire Lock Pin
20	2	220154	Rubber Conveyor Seal
21	1	270505	Conveyor Edging Front
	1	270506	Conveyor Edging Rear (shown)
22	1	270366	Cylinder Mount Bracket
23	1	240139	Hydraulic Cylinder
24	1	271174	Rear Pivot Bracket
	1	271178	Front Pivot Bracket (shown)
25	2	271171	Pivot Bracket
26	1	271184	Lift Bracket
27	2	210168	1-1/4" Flange Bearing
28	1	220132	Pin
29	2	220133	Clip
30	1	240135	Hydraulic Motor
31	22	34221	5/16 x 1 Bolt
32	42	34203	5/16 Lock Washer
33	42	34020	5/16 Nut
34	20	34057	5/16 Washer
35	20	34214	1/4 x 1 Bolt
36	40	34052	1/4 Washer
37	20	34124	1/4 Nylon Stop Nut
38	20	34250	5/16 x 1 Carriage Bolt
39	8	34200	5/16 x 3/4 Bolt
40	2	34324	3/8 x 5 Carriage Bolt
41	14	34018	3/8 Washer
42	4	34220	3/8 Nylon Stop Nut
43	2	34252	3/8 x 1-3/4 Bolt
44	20	34141	3/8 Lock Washer
45	4	34197	3/8 x 3/4 Bolt
46	4	34246	1/2 x 1-1/2 Carriage Bolt
47	8	34094	1/2 Washer
48	6	34035	1/2 Lock Washer
49	6	34034	1/2 Nut
50	1	210130	Key 1/4 x 1
51	16	34087	3/8 Nut
52	16	34006	3/8 x 1 Carriage Bolt
53	2	34226	1/2 x 1-1/2 Bolt

Spill Guard



I-86210-A

<u>Item #</u>	<u>MC Part #</u>	<u>Qty.</u>	<u>Component Description</u>
1	270517	2	Spill Guard (406, 506, 606, 706)
	270519	2	Spill Guard (588, 728, 1028)
2	34275	10	5/16 x 1 Carriage Bolt
3	34057	10	5/16 Washer
4	34203	10	5/16 Lock Washer
5	34020	10	5/16 Nut

INSTALLATION NOTE: For field mounting of the Spill Guard, holes must be drilled. Use the Spill Guard pieces (#1 in drawing) as templates for drilling.