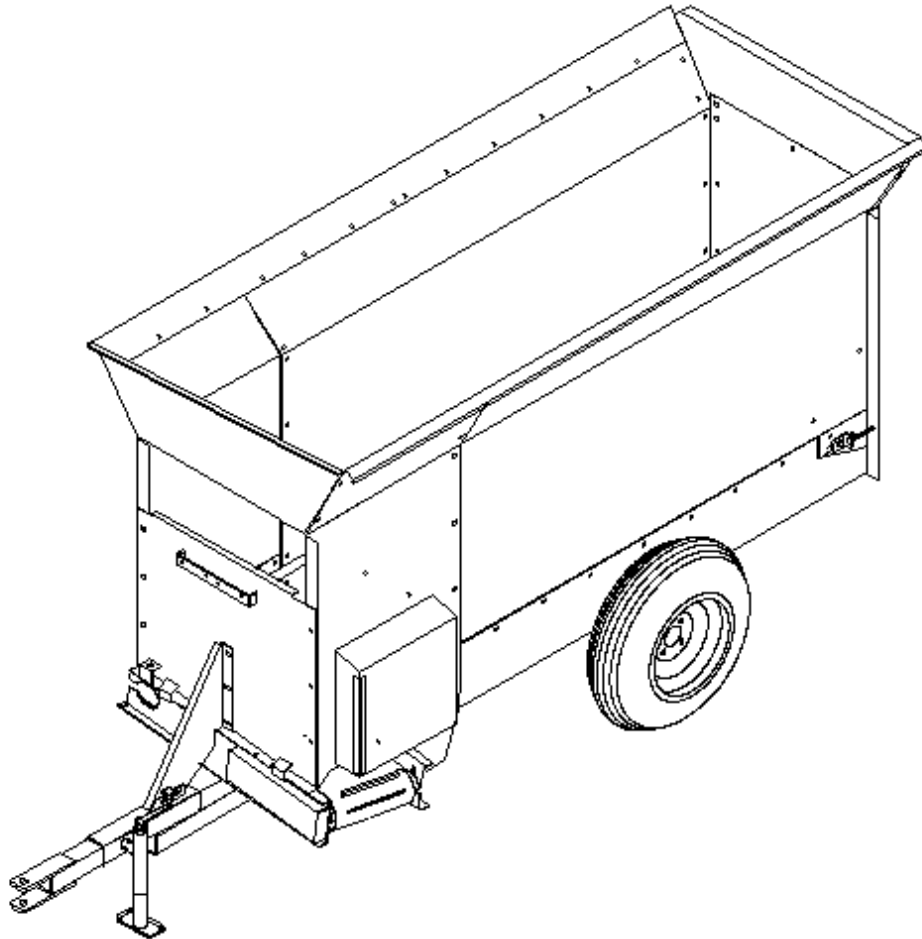


OPERATOR'S MANUAL

204 Row Mulcher



PUBLICATION DATE: 4/1/13

MILLCREEK PART # 43899

Millcreek Manufacturing Company
525 Reservoir Rd
Honey Brook PA 19344
Phone: 1-800-311-1323 / Fax: 877-640-9009
www.millcreekmfg.com



WARNING: DO NOT assemble, operate, or maintain this equipment without first reading and understanding the information provided in this manual. Failure to follow all safety precautions as stated in these manuals may result in serious personal injury or death.

WARRANTY INFORMATION

Millcreek Manufacturing Company (hereinafter called the Company) warrants to the original Purchaser, the Equipment, manufactured by the Company, to be free from defects in material and workmanship under normal use and service. The Company obligation under this Warranty shall be limited to replacement or repair of any parts thereof, free of charge, to the original Purchaser, at their place of business, provided, however, that the part(s) to be replaced or repaired, shall, within one year after delivery to the original Purchaser, be demonstrated to be defective; which determination shall be made by the Company. The said components or parts must be returned through the Selling Dealer or Distributor directly to the Company with all transportation charges prepaid. Notice of defect shall be furnished in writing to the Seller and to the agent through whom the machinery was purchased, disclosing in full all known defects and failure in operation and use. Reasonable time shall be given to the Seller to remedy any such defects and failures.

This Warranty does not cover, under any circumstances, any parts, components, or materials which, in the opinion of the Seller and the Company, have been subjected to neglect, misuse, alteration, accident, or repaired with parts other than those manufactured by and obtained from Millcreek Manufacturing Company.

This Warranty does not cover components which are already covered by a separate warranty provided by the supplier of said parts or components.

This Warranty is made in lieu of all other warranties, expressed or implied, including any warranty of merchantability and fitness for use and purpose and of all other obligations or liabilities on the Company part and any implied warranty. The Company neither assumes nor authorizes any other person to assume for it, any other liability in connection with the sale of this equipment. This Warranty shall not apply to this equipment or to any part thereof which has been subjected to accident, negligence, alteration, abuse, or misuse.

The Company makes no warranty whatsoever in respect to accessories or parts not supplied by the Company. The term "original Purchaser," as used in this Warranty, shall be deemed to mean that person for whom the equipment is originally supplied. This Warranty shall apply only within the boundaries of the continental United States.

Under this Warranty, the Company cannot guarantee that conditions existing beyond its control will not affect the Company's ability to obtain materials or manufacture necessary replacement parts.

The Company reserves the right to make design changes, or changes in specifications at any time, without any contingent obligation on the part of the Company to purchasers of machines and parts previously sold.

The Company warrants the construction of the equipment sold herein and will replace at the Company's expense for a period of two years from the date hereof, any parts which prove defective as determined under the terms of this Limited Warranty.

TRADEMARKS

The Millcreek logo is a trademark of the Millcreek Manufacturing Company. All other brand or product names mentioned are the registered trademarks or trademarks of their respective owners.

COPYRIGHT

Copyright © 2005 Millcreek Manufacturing Company. All rights reserved. No part of this publication may be reproduced, or distributed without the prior written permission of Millcreek Manufacturing Company, 525 Reservoir Rd, Honey Brook PA 19344. Subject to change without notice.



TABLE OF CONTENTS

SECTION 1: INTRODUCTION.....	1-1
Guide to this Manual.....	1-1
For Your Safety.....	1-1
Safety Labels.....	1-1
Inspection and Warranty Registration	1-5
Standard/Optional Components.....	1-5
Warranty Registration.....	1-5
SECTION 2: ATTACHING THE ROW MULCHER TO THE TRACTOR.....	2-1
Connecting the Row Mulcher Hitch to the Tractor Drawbar.....	2-1
Attaching the Row Mulcher PTO to the Tractor PTO.....	2-2
Assembling the Safety Tow Chain.....	2-2
SECTION 3: OPERATION & ADJUSTMENT.....	3-1
Understanding Row Mulcher Operation.....	3-1
The Row Mulcher Operating Components.....	3-1
Important Specifications for Row Mulcher Operation.....	3-1
Guidelines for Loading the Row Mulcher.....	3-2
Operating the Row Mulcher.....	3-2
SECTION 4: MAINTENANCE.....	4-1
Guidelines for Regular Maintenance.....	4-1
General Maintenance.....	4-1
Wheel/Tire Maintenance.....	4-2
Wheel Bearing Maintenance.....	4-2
Drive System Maintenance.....	4-2
Hydraulic System Maintenance.....	4-4

SECTION 1: INTRODUCTION

Guide to this Manual

This manual contains all the information necessary to safely operate and maintain your Millcreek Row Mulcher. Consult the Table of Contents for a detailed list of topics covered. You'll find this manual's step-by-step procedures easy to follow and understand. Should questions arise, please contact your Millcreek dealer before starting any of the procedures in this manual.

Regarding the information presented in this manual:

- All safety, operating, and servicing information reflects current production models at the time of publication of this manual.
- References made to left, right, front, and rear are those directions viewed when facing the unit from the rear.

Please read all sections in the manual carefully--including the important safety information found in this section--before beginning any procedures; doing so is critical for the safe and proper operation of the Millcreek Row Mulcher.

For Your Safety...

For your safety, Millcreek documentation contains the following types of safety statements (listed here in order of increasing intensity):

- **NOTE:** A clarification of previous information or additional pertinent information.
- **ATTENTION:** A safety statement indicating that potential equipment damage may occur if instructions are not followed.



CAUTION: A safety statement that reminds of safety practices or directs attention to unsafe practices which could result in personal injury if proper precautions are not taken.



WARNING: A *strong* safety statement indicating that a hazard exists which can result in injury or death if proper precautions are not taken.



DANGER! *The utmost levels of safety must be observed;* an extreme hazard exists which would result in high probability of death or irreparable serious personal injury if proper precautions are not taken.

The best operator is a careful operator. By using common sense, observing general safety rules, and adhering to the precautions specific to the row mulcher, you, the operator, can promote safe equipment operation.

For Your Safety... (continued)

In addition to observing the specific precautions listed throughout the manual, **the following general precautions apply and must be heeded to ensure proper, safe operation.**



WARNING: Keep hands and feet from under the equipment at all times. Ensure that you are safely distanced from any other persons before operating the row mulcher.



WARNING: DO NOT attempt to operate the row mulcher in areas with steep inclines, ditches, large rocks, stumps, or holes which may endanger the operator by upsetting the tractor or cause damage to the row mulcher.



WARNING: To prevent serious personal injury and to promote safe equipment operation, keep all shields in place during operation. Ensure that all mounting hardware is properly tightened.



WARNING: Never clean, adjust, or repair the row mulcher while the equipment/tractor is in motion. Never attempt to pull material from any part of the equipment while it is in motion.



WARNING: On PTO units, DO NOT get off the tractor while the tractor PTO is engaged.



WARNING: Never wear loose clothing when operating the row mulcher as it may become caught in the moving parts of the machine.



WARNING: Never allow children or anyone else to ride on the row mulcher.

ATTENTION: For proper and safe operation of the spreader, periodically inspect all parts for excessive wear. Replace worn components with factory-authorized parts.

ATTENTION: To prevent the hitch from coming disconnected during operation, use the proper size hitch pin with a safety cotter at all times.

ATTENTION: Be sure to use a safety chain when traveling with the row mulcher on a public roadway.

Safety Labels

Following are the descriptions of all labels on the row mulcher; refer to Figure 1A. Please note that some labels denote model number, model description, etc. while others contain important safety messages.

Each **Safety Label** contains an important safety message starting with a key word as discussed earlier in this section (e.g. ATTENTION, CAUTION, WARNING, DANGER). For your safety and the safe operation of your equipment, review all labels and heed all safety messages as printed on the labels.

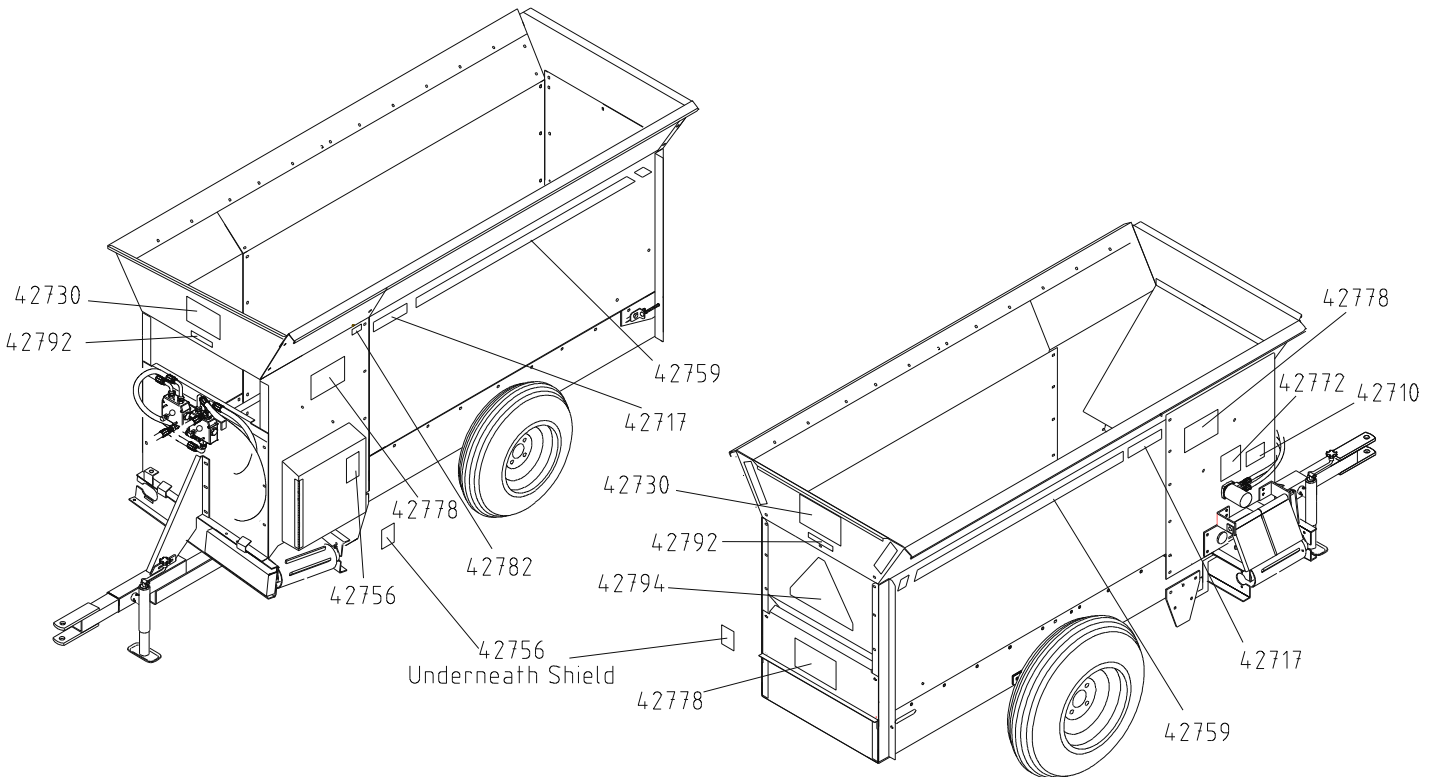
Be sure to keep the safety labels clean and readable. If the labels ever become damaged or illegible, contact your Millcreek dealer for replacements.

Safety Labels (continued)

Row Mulcher Safety Labels

<u>Item#</u>	<u>Part#</u>	<u>Qty</u>	<u>Description</u>
1	42710	1	Warning Entanglement
2	42717	2	Label Row Mulcher
3	42730	2	Millcreek Logo Lg Red
4	42756	3	Danger Shield Missing
5	42759	10	Cardinal Red Prem Cast Vinyl
6	42772	1	Warning Label
7	42778	3	Millcreek Logo Large
8	42792	2	Danger No Riders
9	42794	1	Decal-smv,13.75" Triangle,red-
10	42782	1	204 Serial Plate

For your safety, be sure to locate all safety labels and review their content before proceeding with operating the row mulcher!

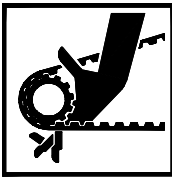



204-12


Safety Labels (continued)

 **DANGER NO RIDERS** 42792

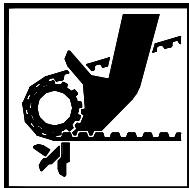
WARNING
Entanglement Hazards

 **Moving parts can crush or cut.**
STAY CLEAR of machine while engine is running and/or machine is operating. Keep hands, feet, clothing, and hair away from operating parts.

 **Never** adjust, lubricate, or clean machine while engine is running and/or machine is operating.
Never operate machine without safety shields in place.

 **Read and understand** operator's manual and safety labels before operating or servicing the machine.
Failure to follow these warnings may result in serious injury or death. 42772



WARNING



Entanglement Hazard.

DO NOT OPERATE without safety shield in place. Moving parts can crush and cut. 42756

WARNING

Entanglement / Flying Debris Hazards.
DO NOT STAND in back of machine while engine is running and/or machine is operating. Rotating beaters and/or flying debris can cause serious personal injury or death.
Approach the rear of the machine **ONLY** when all power sources are shut **OFF** and all moving parts have stopped. 42710

Inspection and Warranty Registration

The Row Mulcher is shipped from your Millcreek Dealer completely assembled and ready for operation. Inspect your new row mulcher thoroughly upon receipt to ensure that it has been shipped to you in a satisfactory manner. Immediately notify the freight company and your Millcreek dealer in case of shipping damage, shortage(s), and/or errors.

Standard/Optional Components

The Row Mulcher is supplied completely assembled with the following components (standard):

- Cross Conveyor Crescent Belt
- Variable Speed Apron Chain and Cross Conveyor
- Either PTO or Tractor Hydraulic Drive
- Agricultural Ribbed Tires
- Load Retainer

Warranty Registration

Following inspection of your new spreader, locate the Millcreek Warranty Card in the literature packet shipped with your spreader. For proper warranty registration, Millcreek requires that you fill out the warranty registration card and return it *within 30 days* to:

MILLCREEK WARRANTY REGISTRATION
Millcreek Manufacturing Company
525 Reservoir Rd
Honey Brook PA 19344
U.S.A.

SECTION 2: ATTACHING THE ROW MULCHER TO THE TRACTOR

Connecting the Row Mulcher Hitch to the Tractor Drawbar



WARNING: For safe operation, connect the row mulcher directly to the tractor drawbar; DO NOT connect the row mulcher to a three-point hitch towbar.

The row mulcher hitch is designed to work with a standardized tractor drawbar. To connect the row mulcher hitch to the tractor drawbar, refer to Figure 2A and adhere to the following guidelines:



WARNING: Damage to the row mulcher or other vehicle, as well as injury to the operator, may occur if a properly-sized ($\frac{3}{4}$ " diameter) hitch pin is not installed as recommended. Secure the hitch pin with the clip as shown.

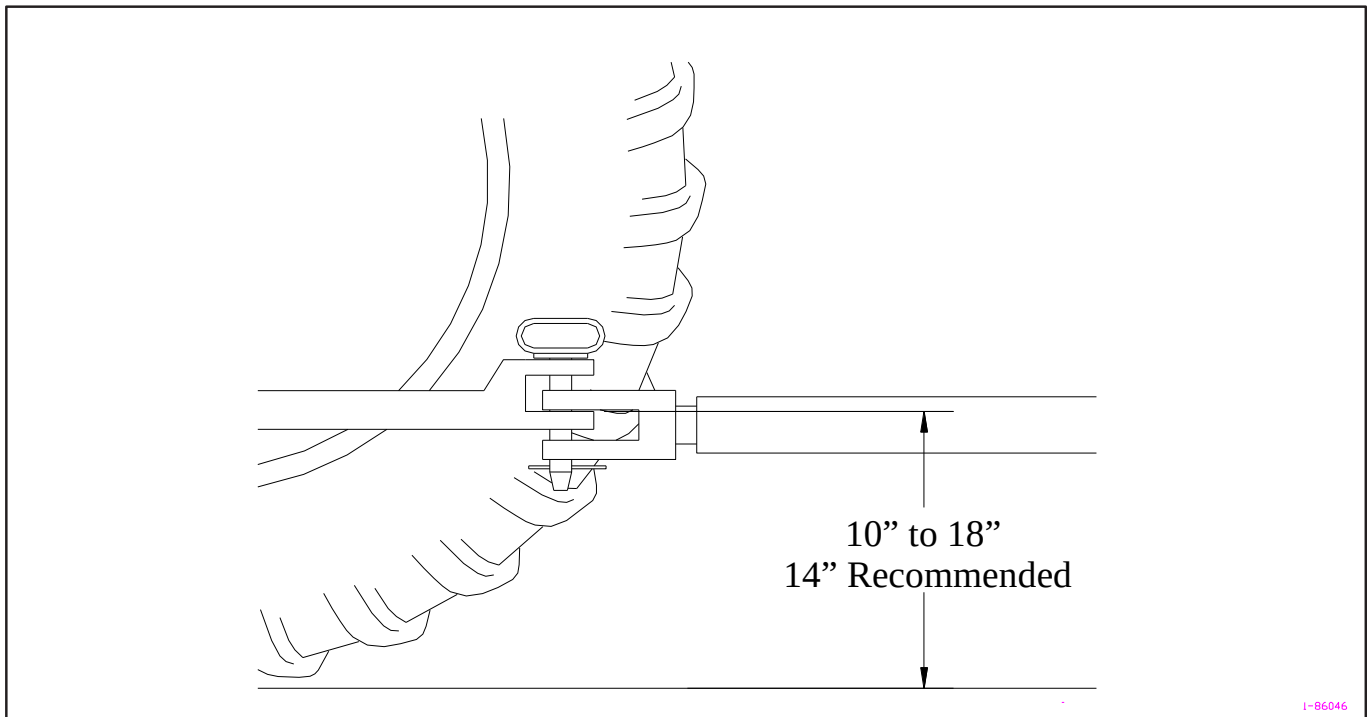


Figure 2A - Specifications for Connecting the Row Mulcher to the Tractor Drawbar

Assembling the Safety Tow Chain

NOTE: The safety tow chain may be ordered as an optional component for the row mulcher and must be used if the row mulcher is to be moved any time on a public roadway. Be sure to adhere to all local/state transportation codes for travel on public roadways with this type of equipment.



WARNING: DO NOT tow the row mulcher (loaded for operation) at highway speeds; doing so may cause the tires to overheat and/or loss of control.

1. Refer to Figure 2B for an illustration of the hook-up of the safety chains (one on each side).
2. Unscrew the quick link nuts (one on each side).
3. Insert the chain link into the quick link as shown (one on each side) and retighten the quick link nuts to keep the chains from slipping out.
4. Hook the other ends of the chains to the appropriate anchor holes on the vehicle hitch.



WARNING: For the safety chains to be effective, the installation of the chains should not allow more slack than is necessary for movement during row mulcher operation. Inspect the safety chains regularly to check the condition of the links and locking/hooks mechanisms; replace the chains as soon as weakness/breakage is noted.

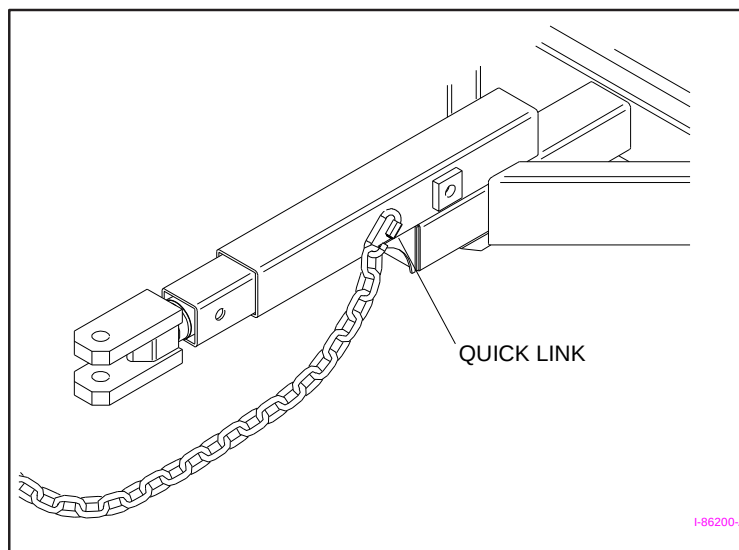


Figure 2B - Attaching the Safety Chains

SECTION 3: OPERATION & ADJUSTMENT

Understanding Row Mulcher Operation

Proper and safe operation of the Millcreek row mulcher requires: (1) being familiar with the row mulcher's operating components and (2) heeding all safety precautions as stated in this manual.

The Row Mulcher Operating Controls

The row mulcher hydraulic models draw power from the tractor hydraulic remotes. For optimal operating performance, run the tractor at the throttle setting for hydraulic flow of 5 GPM and regulate ground speed to no more than 5 mph.

Key components for row mulcher operation and adjustment are:

- The **flow control levers**, located at the front (tractor end) of the row mulcher, allows you to adjust the mulch feed rate and spread pattern.

Important Specifications for Row Mulcher Operation



CAUTION: Be aware that this row mulcher model has a specific capacity which must not be exceeded to ensure safe and proper operation and to prevent equipment damage.

- **Ensure that the tractor weight is at least equal to the weight of the loaded row mulcher.** For optimal operation, Millcreek recommends that the tractor have at least 20 hp and 5 GPM hydraulic flow

Guidelines for Loading the Row Mulcher

- For safe and proper operation, **DO NOT** exceed the maximum payload of 2500 lbs for this row mulcher.
- **ATTENTION:** NEVER store material in the row mulcher between unloading times during critical cold weather months when a frozen load could result in severe equipment damage (i.e. torn floor apron chain).
- **DO NOT** store wet material in the row mulcher (or keep the row mulcher outdoors with material in it)--doing so will accelerate rusting of the steel. Be aware that storing material in the row mulcher also makes the material difficult to unload (i.e. it may solidify/harden).

Hydraulics

Tractor Hydraulic models draw their power directly from the tractor hydraulic system. **For optimal operating performance, the hydraulic oil flow of 5 gallons per minute (GPM) must be maintained.** At 3 GPM, the spreader will still operate but at a slower speed.

PTO Hydraulic models include a hydraulic pump which draws power from the PTO drive line to run the hydraulic motors. The PTO hydraulic pump is designed to provide 6 GPM with a PTO speed of 540 RPM.

Row Mulcher Operating Components

Row Mulcher operation is controlled, in combination, by four variables. The first three variables determine the **application rate**. The fourth variable affects the **spreading pattern**.

- (1) tractor ground speed (mph)
- (2) apron belt speed (0 to 27 feet per minute)
- (3) conveyor speed (0 to 1100 feet per minute)
- (4) deflector positioning

The **Dual Hydraulic Control Valves**, located on the front of the Row Mulcher, provide separate control of floor chain and cross conveyor speeds for maximum control and flexibility.

- The **Left Control Valve** controls the speed of the floor apron chain.
- The **Right Control Valve** controls the speed of the cross conveyor.

SECTION 4: MAINTENANCE & ADJUSTMENT

Guidelines for Regular Maintenance



WARNING: All shields must be replaced after maintenance or adjustment procedures are performed. Failure to do so could result in serious personal injury or death.



WARNING: Perform maintenance procedures and/or adjustments to the row mulcher ONLY when the PTO is disengaged and the tractor engine is not running. Failure to adhere to this caution could result in serious personal injury.

General Maintenance

Performing regular maintenance on your Millcreek Row Mulcher will help ensure optimal performance. Please follow these guidelines for maintaining your mulcher:

- Clean the row mulcher after each use.
- **ATTENTION:** NEVER store material in the row mulcher between unloading times during critical cold weather months when a frozen load could result in severe equipment damage (i.e. torn floor apron chain). Storing wet material in the row mulcher (or keeping the mulcher outdoors with material in it) will accelerate rusting of the steel.
- Check the row mulcher each time it is used for loose, bent, broken or missing parts. **ATTENTION:** During operation, listen for abnormal sounds which might indicate loose parts or other equipment damage. Correct any parts problems immediately
- (For PTO models only) Inspect the PTO safety shield and chain regularly to check the condition of the links; replace the shield and chain as soon as weakness/breakage is noted.
- Once a year, grease the row mulcher's wheel hubs. For PTO drive models, also grease the PTO slide and U-joints.


Guidelines for Regular Maintenance (continued)

Wheel/Tire Maintenance

- Once a month, check the wheel lug bolt torque. The recommended torque is 100 ft. lbs.
- Check the tires and maintain proper tire pressure:
 - 40 PSI for Ag Rib Tires

ATTENTION: When storing the row mulcher for a period of time, block up the unit to remove weight from the tires. Doing so helps to prevent any possible damage to the tires.

Wheel Bearing Maintenance

- Adjust the wheel hub bearings after 100 loads and once each season thereafter.
 - Use a jack to raise the row mulcher to remove weight from the wheel.
-  **CAUTION:** Be sure to block up the row mulcher to prevent personal injury while working on the wheels.
- Rotate the wheel and torque the wheel hub bearings to 25 ft. lbs.
 - Back off the nut one flat, plus enough to install the cotter pin (1/6 turn min., 1/3 turn max.)

Drive System Maintenance

- Apply chain lube to the floor apron chain each time after completing a spreading job **and** before storing the row mulcher for any period of time.
- Periodically check the apron chain and/or cross conveyor belt for proper tension/tightness (refer to Figures 4A and 4B).

Procedure for adjusting the apron chain:

- a) The apron chain can be adjusted using the apron tensioner bolts at the rear of the row mulcher as shown in Figure 4A.
- b) Adjust the apron tensioner bolts so 1/4 to 1/2 of the lower chain strand is laying on the chain guides (steel channels in the apron floor).

Procedure for adjusting the cross conveyor belt:

- a) Use a 9/16 " wrench to loosen the mounting bolts on the cross conveyor tensioner bearings (located at the front right corner of the row mulcher on either side of the cross conveyor belt).
- b) Refer to Figure 4B. Adjust the tensioner bolt to obtain the desired tension.

ATTENTION: Be sure to tighten the draw bolts **equally on each side** so the belt does not droop or have any slack in it; the belt may be damaged if it is operated when misaligned.

Guidelines for Regular Maintenance (continued)

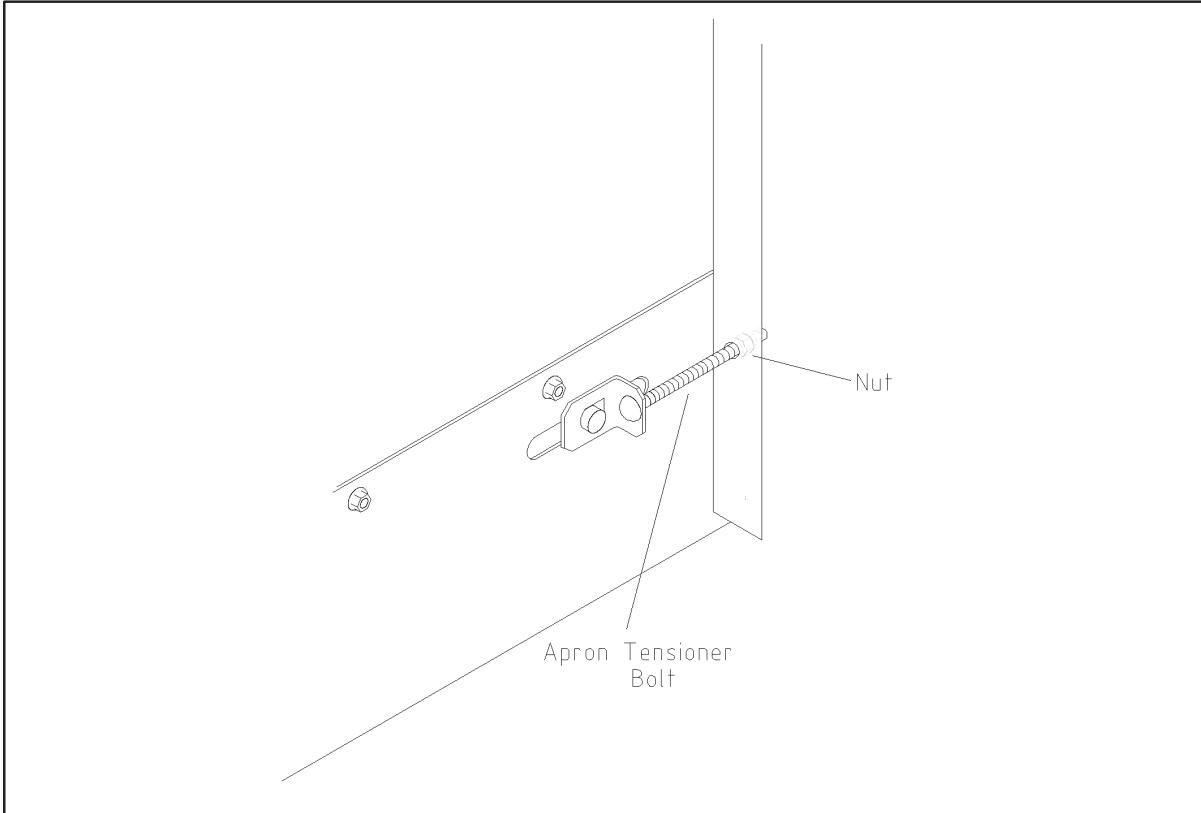


Figure 4A - Adjusting the Apron Chain Tension

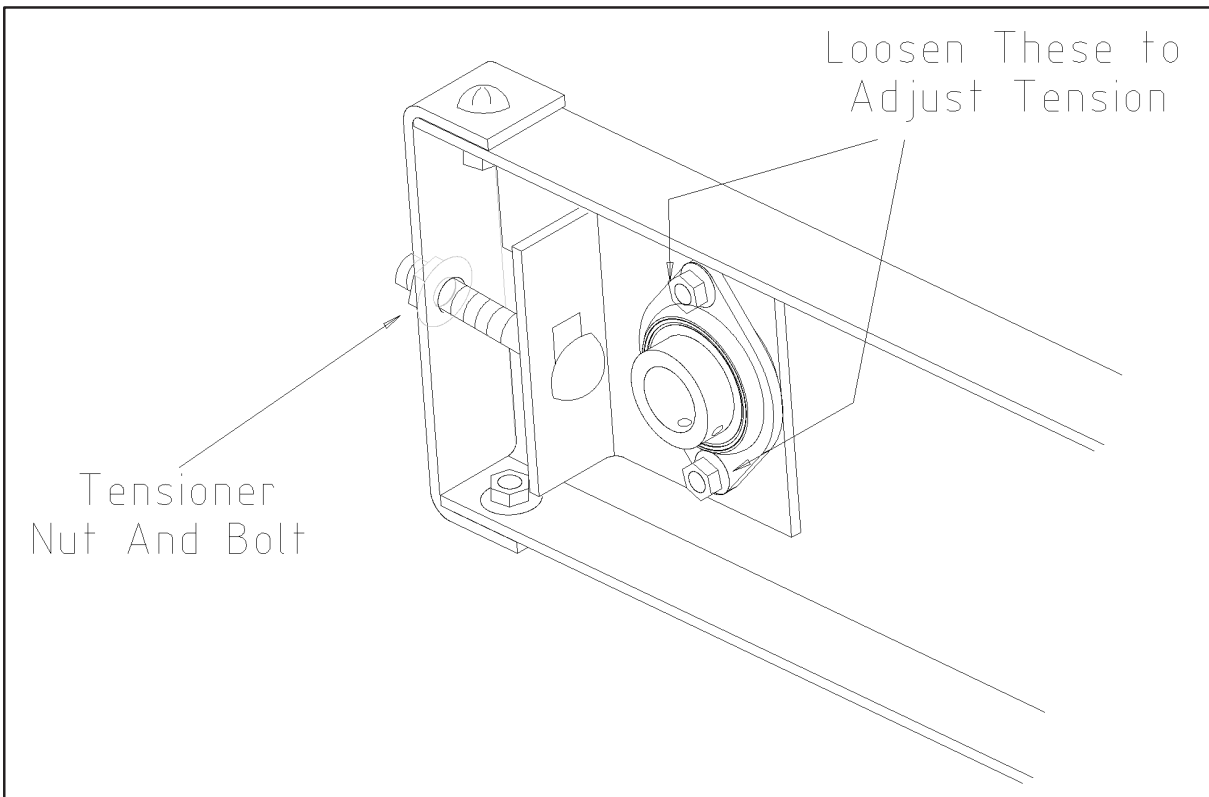


Figure 4B - Cross Conveyor Belt Tension Adjustment

Hydraulic System Maintenance

- Periodically check the condition of the hydraulic hoses for flexibility and any signs of rubbing/weakness on the outer surface. Replace the hose(s) as soon as any weakness or cracking is noted.
- **Proper oil maintenance for Tractor Hydraulic Units:** The Tractor Hydraulic unit is shipped with Universal Tractor Hydraulic Fluid (UTF) in the lines. To protect your tractor, make sure the UTF supplied with the Row Mulcher is compatible with the oil in your tractor.
- **Proper oil maintenance for PTO Hydraulic Units:** The PTO Hydraulic Row Mulcher is supplied with either **Castrol Blue Hydraulic Oil (blue in color)** or **Shell Pellus Plus 46 (amber in color)** in the reservoir. (The oils have identical specifications as shown below.)

Hydraulic Oil Specifications

ISO Grade	46
Former Grade	(10)
Viscosity @ 40° C cSt	45.3
Viscosity @ 100° C cSt	6.6
Viscosity @ 100° F, SUS	215
Viscosity @ 210° F, SUS	48
Viscosity Index	103
Flash Point, °C (°F)	215 (420)
Pour Point, °C (°F)	-26 (-15)

- (For PTO Hydraulic drive only) Replace the oil filter after the first 10 hours of operation. After that initial period, replace the filter every 100 hours (in dusty conditions) or every year.

ATTENTION: If a PTO Hydraulic Row Mulcher is converted to a Tractor Hydraulic unit, be sure to check if the hydraulic oil is compatible with the oil in the tractor. If it is not, the hydraulic system must be flushed out with new oil to ensure proper functioning and to prevent equipment damage.

APPENDIX A: PARTS REFERENCE

The following information is provided for your reference in understanding how the row mulcher is assembled and how spare parts can be identified and ordered properly

Parts Ordering Information

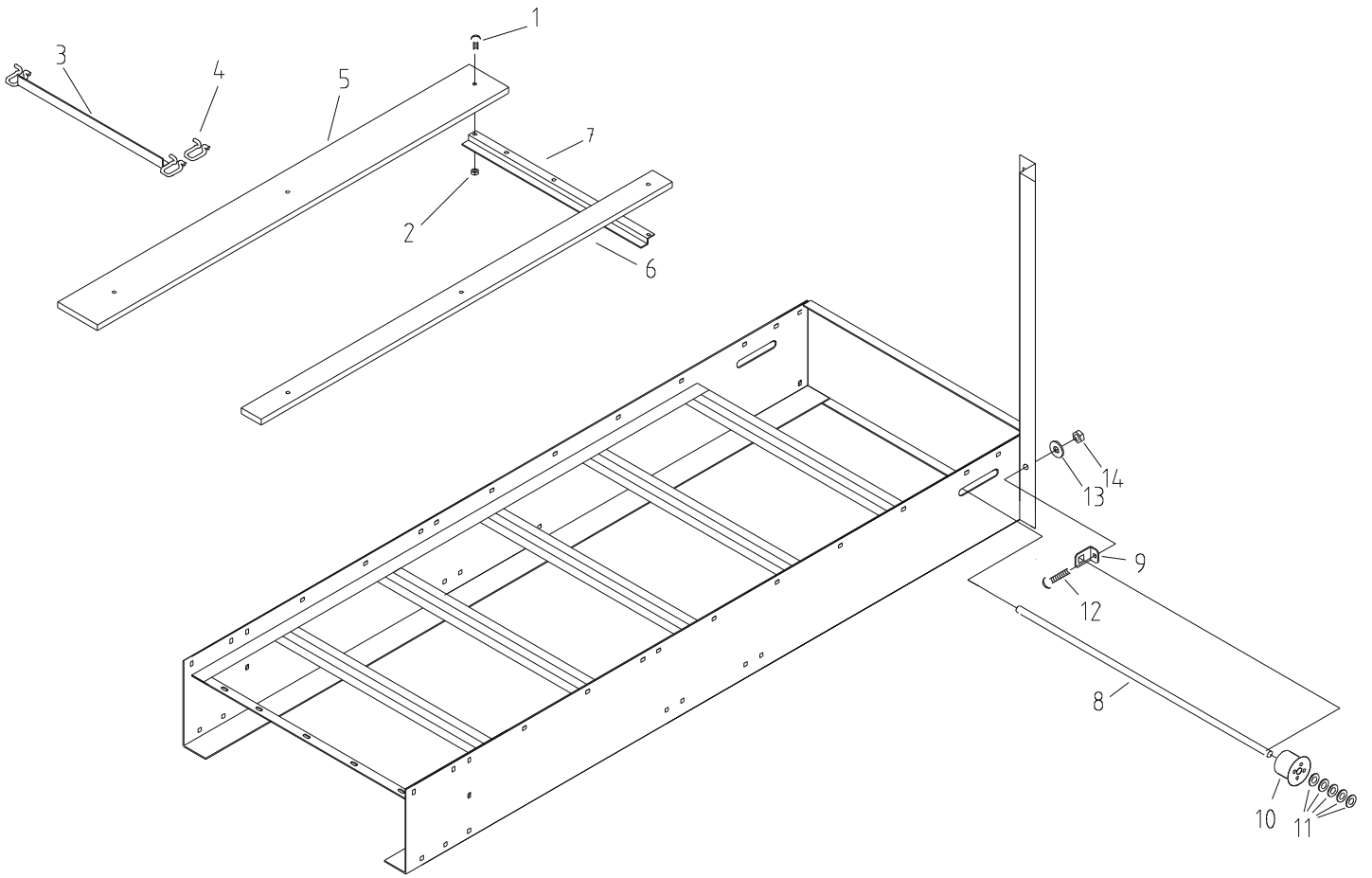
When ordering replacement parts, please provide the following information to your local Millcreek dealer:

- * Model and serial number of the unit (located on the front left corner of the mulcher)
- * Part number and description as it appears on the following drawings/parts lists

General Specifications

Model 204	
Capacity, struck	2.1
Capacity, heaped	2.9
Maximum Payload	2500 lbs
Overall Width	48"
Overall Length	10' 6"
Loading Height	5' 5"
Body Width	27"
Lbs Weight	1050
Minimum GPM	5
Minimum Hp	18
Apron Chain	3/8 T-Rod

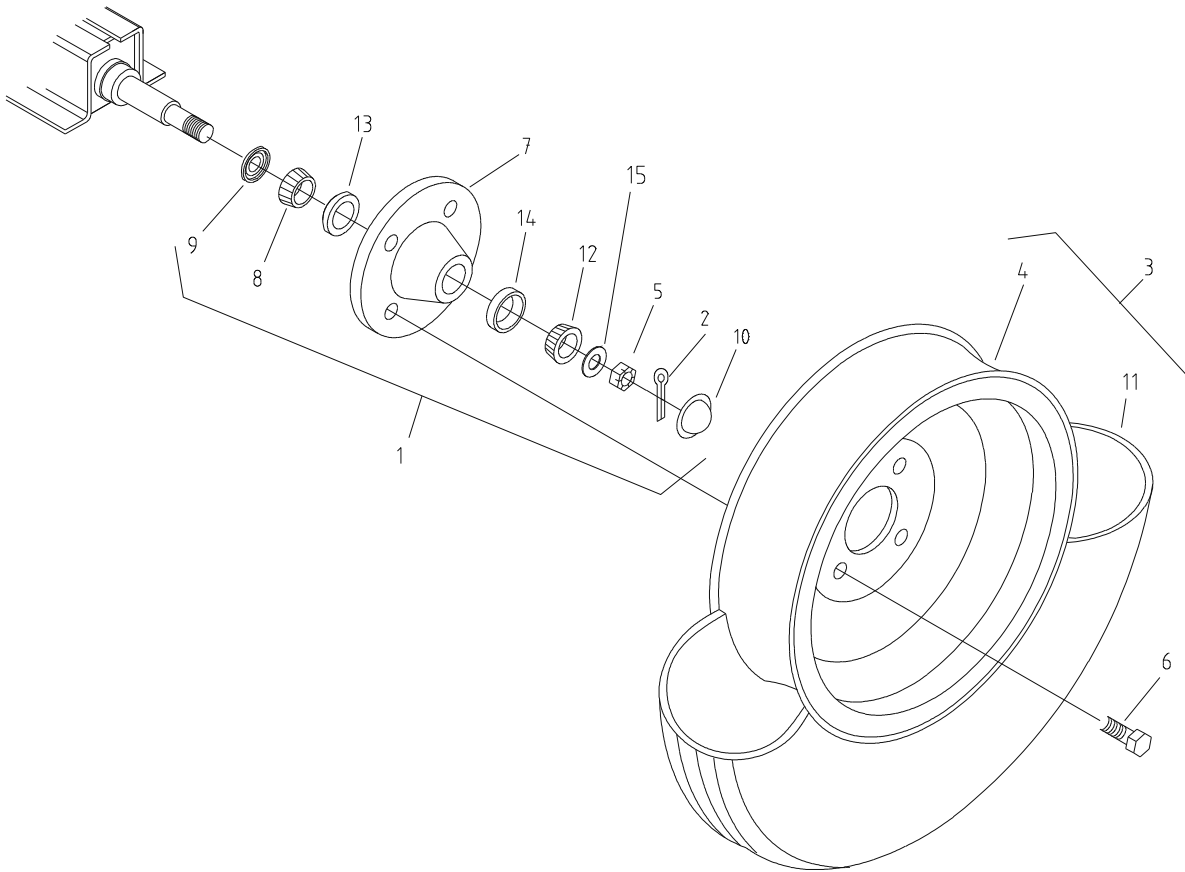
Apron/Floor Assembly



204-2

<u>Item#</u>	<u>Part#</u>	<u>Qty</u>	<u>Description</u>
1	34320	15	5/16 x 1 ¼ Carr Bolt
2	34367	15	5/16 Flange Nut Wide
3	261801	12	T-Rod Slat
4	210421	118	9mm T-Rod Link
5	271489	4	Floor Board
6	271490	1	Half Board
7	260112	2	Floor Hold Down
8	261743	1	Apron Idler Shaft
9	261587	2	Apron Tightener Bracket
10	220167	2	Plastic Idler
11	34201	10	3/4" Washer
12	34324	2	3/8 x 5 Carriage Bolt
13	34018	2	3/8 Washer
14	34210	2	3/8 Lock Nut

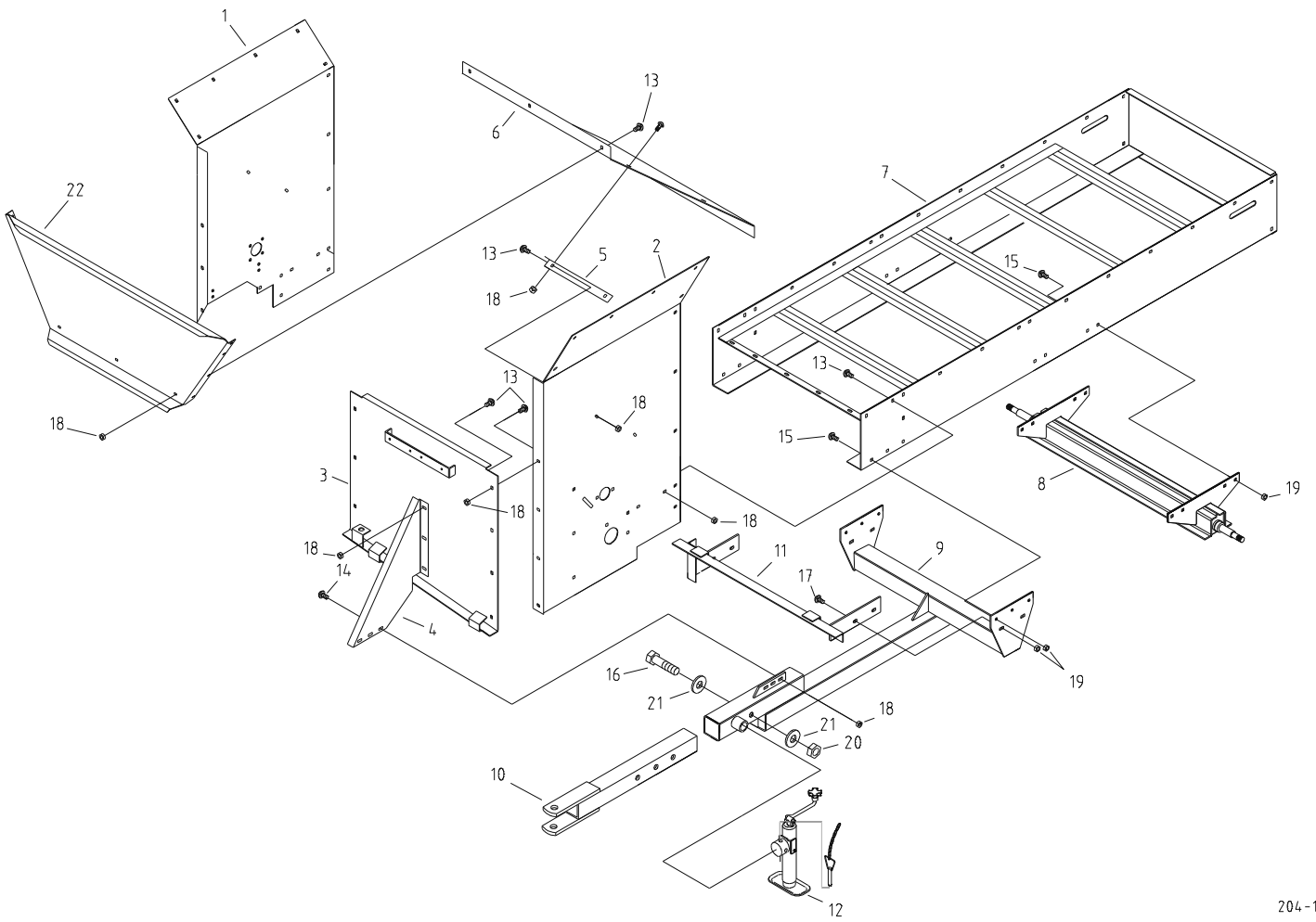
Wheel And Hub Assembly



204-11

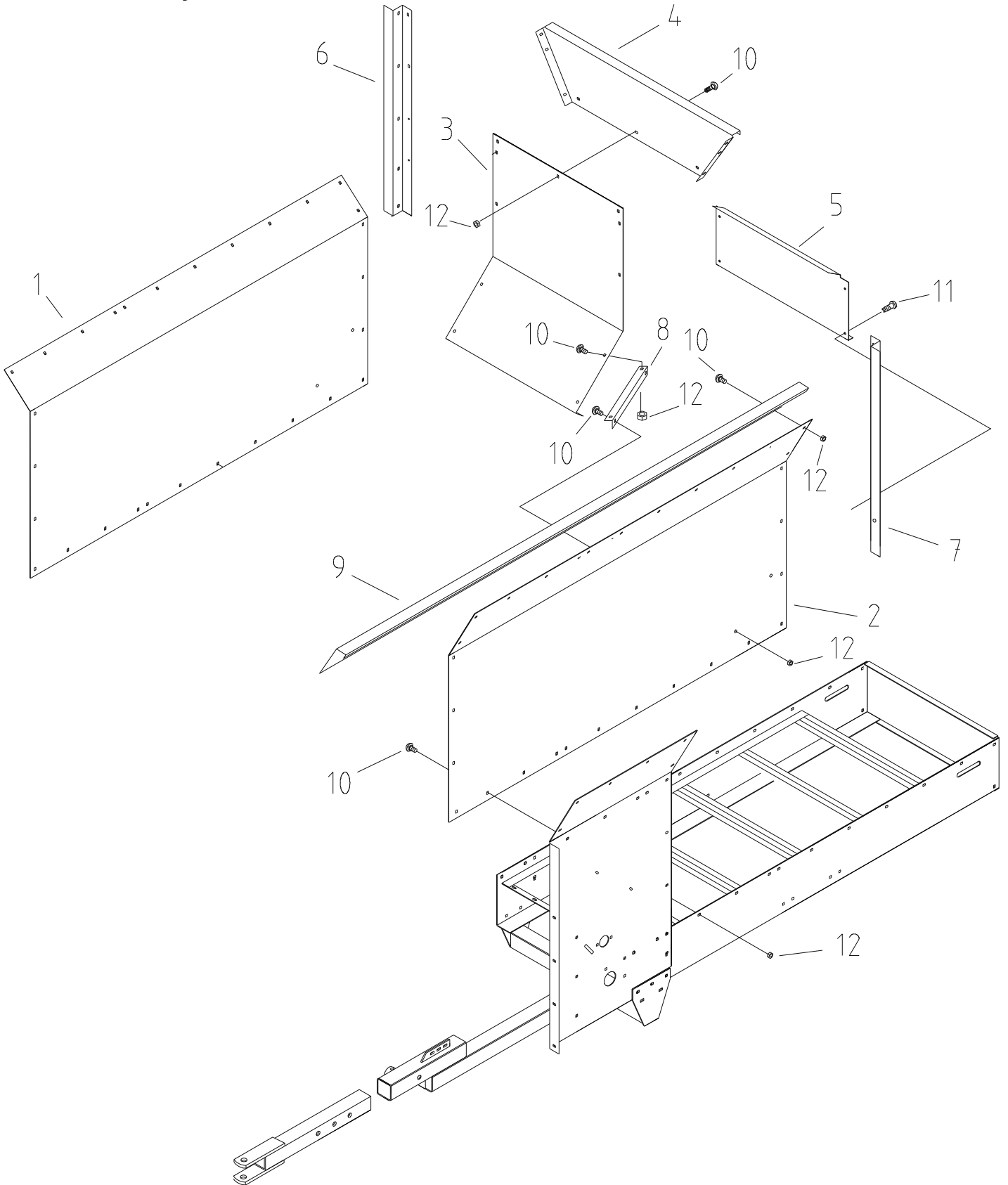
<u>Item#</u>	<u>Part#</u>	<u>Qty</u>	<u>Description</u>
1	215109	2	Complete Hub
2	34209	2	Cotter Pin
3	215132	2	Wheel and Tire (Includes Items 4, 11)
4	215106	2	Wheel
5	215205	2	Spindle Nut
6	215222	8	Wheel Lug
7	215204	2	Hub (Includes Items 13,14)
8	215203	2	Inner Bearing Cone
9	215202	2	Hub Seal
10	215215	2	Dust Cap
11	215125	2	Tire
12	215229	2	Outer Bearing Cone
13	215277	2	Inner Bearing Cup
14	215278	2	Outer Bearing Cup
15	214423	2	Washer

Main Frame/Hitch And Axle



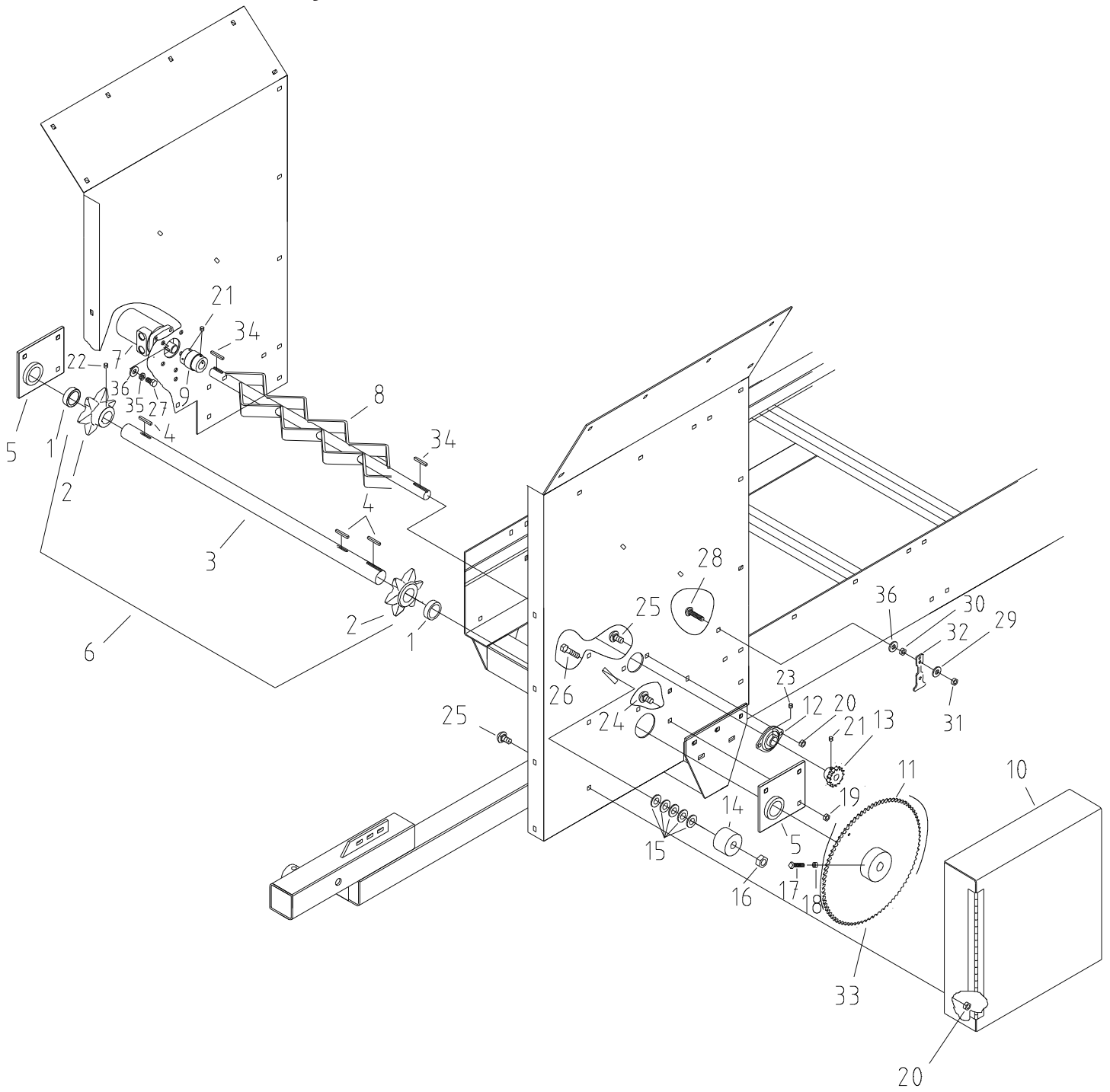
<u>Item#</u>	<u>Part#</u>	<u>Qty</u>	<u>Description</u>
1	271429	1	Conv House Right
2	271428	1	Conv House Left
3	271417	1	Conv House Front
4	271416	1	Front Brace
5	271418	2	Support Angle
6	271423	1	Load Baffle
7	271434	1	Frame
8	271407	1	Axle
9	271413	1	Hitch Receiver
10	271431	1	Hitch
11	271443	1	Conveyor Holder
12	215320	1	Jack
13	34274	54	5/16 x 3/4 Carriage Bolt
14	34275	3	5/16 x 1 Carriage Bolt
15	34191	14	3/8 x 3/4 Carriage Bolt
16	34482	1	3/4 x 5 Bolt
17	34006	6	3/8 x 1 Carriage Bolt
18	34367	57	5/16 Flange Nut Wide
19	34009	20	3/8 Flange Nut
20	34471	1	3/4 Lock Nut
21	34144	2	3/4 Flat Washer
22	271425	1	Upper Front

Box Assembly



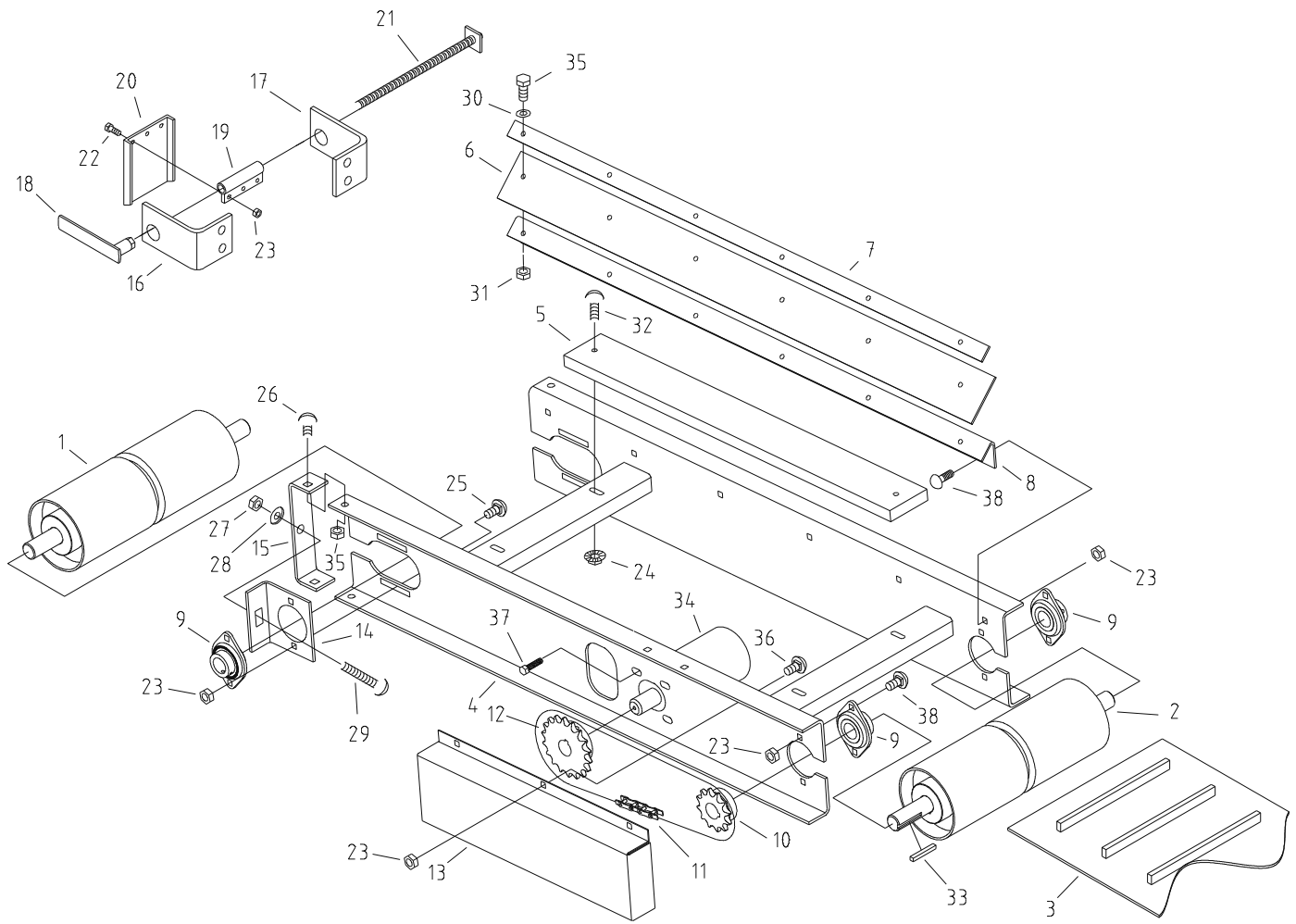
<u>Item#</u>	<u>Part#</u>	<u>Qty</u>	<u>Description</u>
1	271428	1	Side Sheet RH
2	271424	1	Side Sheet LH
3	271458	1	Lower Back
4	271467	1	Upper Back
5	271420	1	Rear Shield
6	271428	1	Rear Post RH
7	271439	1	Rear Post LH
8	271418	2	Support Angle
9	270175	2	Top Edging
10	34274		5/16 x 3/4 Carriage Bolt
11	34118	4	5/16 x 3/4 Self Tapping
12	34367		5/16 Flange Nut Wide

Drive Chain Assembly



<u>Item#</u>	<u>Part#</u>	<u>Qty</u>	<u>Description</u>
1	271470	2	Spacer
2	210360	2	Apron Sprocket
3	271411	1	Apron Shaft
4	220189	3	5/16 x 2 Key
5	271410	2	Apron Bracket
6	271409	1	Front Apron Shaft Assembly
7	240134	1	012 Hyd Motor
8	271432	1	Beater
9	220161	1	1" Shaft Collar
10	271419	1	Side Shield
11	210379	1	Sprocket #60 rc 54t
12	210144	1	Bearing
13	210533	1	60BS9H-1 Sprocket
14	261050	1	Idler Nylatron
15	34144	5	3/4" Washer
16	34211	1	1/2 Nylon Lock Nut
17	34215	1	5/16 x 2 Sq Head Set Screw
18	34260	1	5/16 Nut
19	34009	6	3/8 Flange Nut
20	34099	5	5/16 Flange Nut
21		4	5/16 x 5/16 Set Screw
22		4	3/8 x 3/8 Set Screw
23	34501	2	1/4 x 1/4 Fine Thread Set Screw
24	34191	6	3/8 x 3/4 Carriage Bolt
25	34274	5	5/16 x 3/4 Carriage Bolt
26	34366	1	1/2 x 3 Carriage Bolt
27	34199	4	3/8 x 1 Bolt
28	34282	1	5/16 x 1 1/2 Carriage Bolt
29	34057	1	5/16 Flat Washer
30	34367	1	5/16 Flange Nut Wide
31	34223	1	5/16 Nylon Lock Nut
32	220113	1	Rubber Latch
33	210603	1	60 Chain 60 Link (RM Barn)
34	210131	2	1/4 x 1 1/4 Key
35	34141	4	3/8 Lock Washer
36	34018	5	3/8 Flat Washer

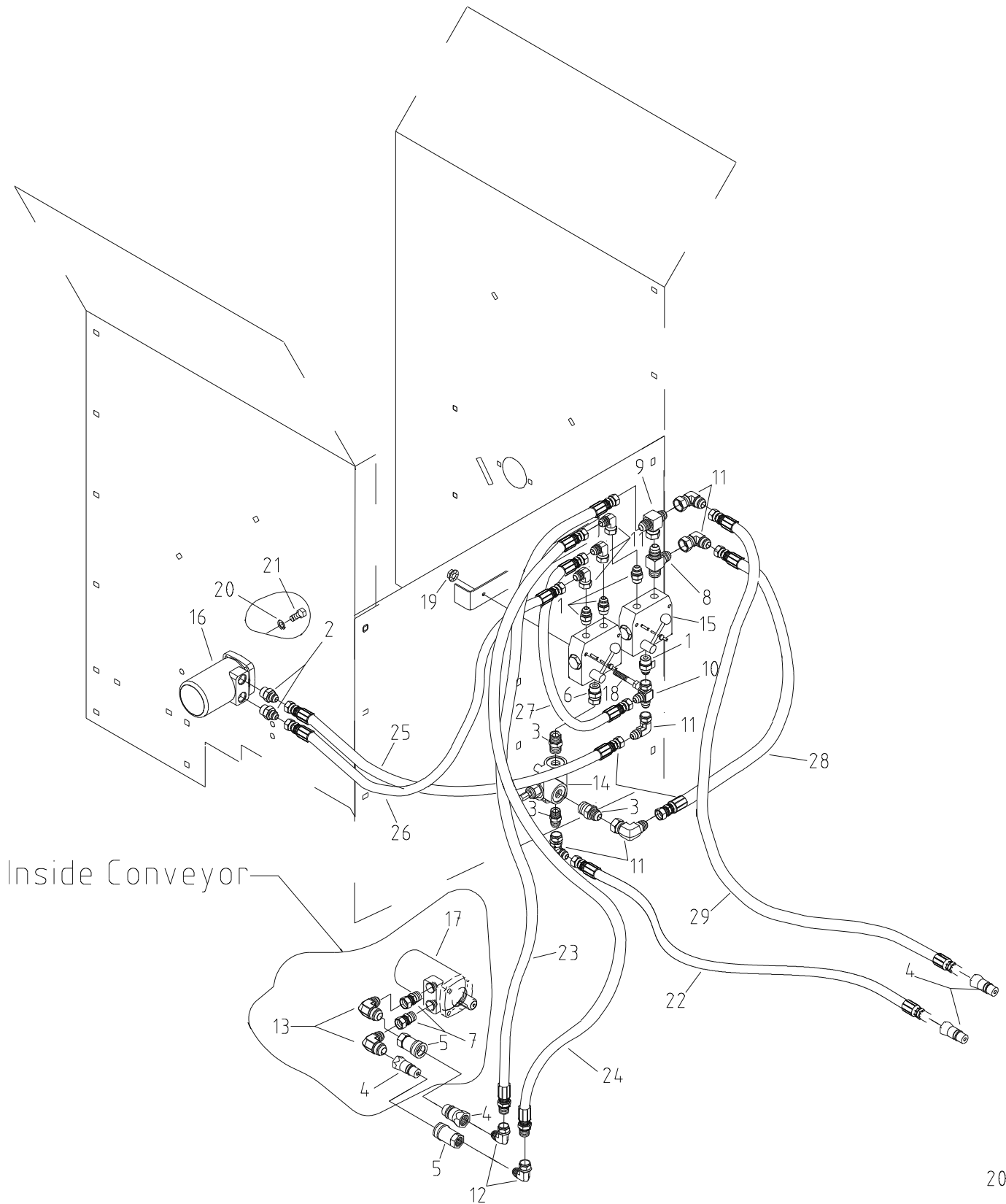
Conveyor Assembly



(204-5)

<u>Item#</u>	<u>Part#</u>	<u>Qty</u>	<u>Description</u>
1	215447	1	Idler Roller
2	215338	1	Drive Roller
3	215433	1	Conveyor Belt
4	271430	1	Conveyor Wa
5		2	Conveyor Board
6		2	Rubber Seal
7	271421	2	Seal Hold Down
8	271422	2	Seal Supports
9	210144	4	Flange Bearing
10	210145	1	12t Sprocket
11	210229	1	#50 Chain 54 Link
12	210468	1	18t Sprocket
13	271455	1	Conveyor Shield
14	271133	2	Belt Tighter Bracket
15	271132	2	Belt Tighter Bracket
16	271451	1	Front Deflector Bracket
17	271452	1	Rear Deflector Bracket
18	270578	1	Deflector Handle
19	270576	2	Deflector Mount
20	270448	2	Deflector Panel
21	271449	1	Thread Rod
22	34200	6	5/16 x 3/4 Bolt
23	34099	29	5/16 Flange Nut
24	34367	4	5/16 Flange Nut Wide
25	34275	4	5/16 x 1 Carriage Bolt
26	34191	4	3/8 x 3/4 Carriage Bolt
27	34211	2	1/2 Lock Nut
28	34227	2	1/2 Flat Washer
29	34091	2	1/2 x 3 Bolt
30	34052	24	1/4 Flat Washer
31	34124	12	1/4 Lock Nut
32	34317	4	5/16 x 1 1/4 Carriage
33	210131	1	1/4 x 1 1/4 Key
34	240135	1	009 Hyd Motor
35	34009	4	3/8 Flg Nut
36	34337	3	5/16 x 1/2 Carriage Bolt
37	34199	4	3/8 x 1 Bolt
38	34274	16	5/16 x 3/4 Carriage

Hydraulics



<u>Item#</u>	<u>Part#</u>	<u>Qty</u>	<u>Description</u>
1	240151	4	Adapter 8MB-8MJ
2	240146	2	Adapter 10MB-8MJ
3	240245	3	Adapter 12MB-8MJ
4	240233	4	Quick Coupler to Tractor
5	240296	2	1/2" Ag Coupler Female
6	240168	1	Adapter Straight 8MB-8FJX
7	240298	2	10MB-8FPX Adapter
8	240149	1	Adapter Tee 8MJ-8MB-8MJ
9	240286	1	Tee 8MJ-8MJ-8FJX
10	240164	1	Adapter Tee 8MJ-8FJX-8MJ
11	240366	8	8MJ-8FJX90
12	240299	2	8MP-8FPX90 Adapter
13	240297	2	8MP-8MP 90 Elbow
14	240248	1	Relief Valve RV-1H #12 SAE
15	240256	2	Flow Control; Orifice Size .032"
16	240134	1	012 Hyd Motor Char-Lynn 9.7 Cu In
17	240135	1	009 Hyd Motor Char-Lynn 2.8 Cu In
18	34301	4	1/4-20 X 2 1/2 Hhcs G5 Z
19	34092	4	1/4-20 Hex Serrated Flange Nut
20	34197	4	3/8 x 3/4 Bolt
21	34141	4	3/8 Lock Washer
22	243725	1	1/2" Hose 60" Long 8FJX-8MP
23	243726	1	1/2" Hose 38" Long 8FJX-8MP
24	243727	1	1/2" Hose 36" Long 8FJX-8MP
25	243728	1	1/2" Hose 28" Long 8FJX-8FJX
26	243729	1	1/2" Hose 25" Long 8FJX-8FJX
27	243730	1	1/2" Hose 23" Long 8FJX-8FJX
28	243731	1	1/2" Hose 14" Long 8FJX-8FX
29	243732	1	1/2" Hose 70" Long 8FJX-8MP